



CprE 281: Digital Logic

Instructor: Alexander Stoytchev

<http://www.ece.iastate.edu/~alexs/classes/>

Latches

CprE 281: Digital Logic
Iowa State University, Ames, IA
Copyright © Alexander Stoytchev

Administrative Stuff

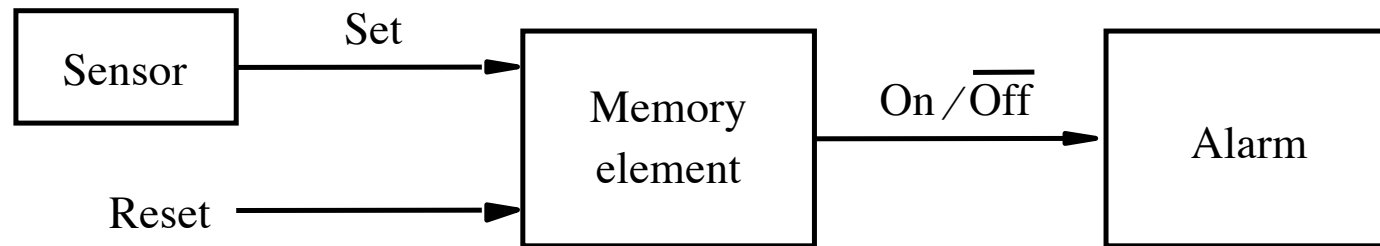
- **HW 7 is due next Monday (Oct 15) @ 4pm**

Administrative Stuff

- **HW 8 is out**
- **It is due on Monday (Oct 22)**

Chapter 5

Control of an alarm system



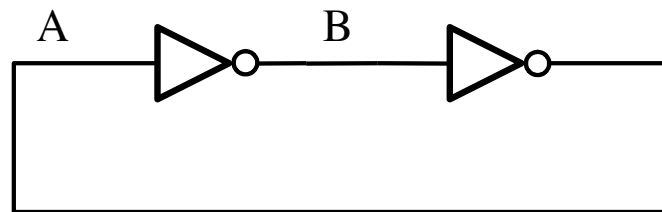
Motivation

So far, our circuits have been converting inputs to outputs without storing any data.

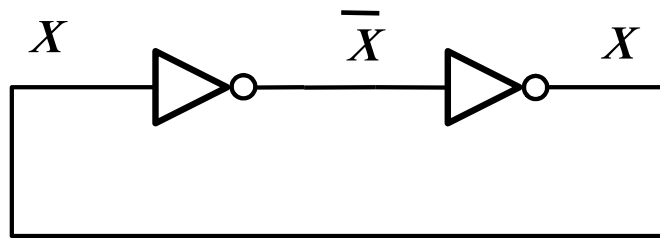
To do more advanced things (e.g., to build computers) we need components that can store data.

Can we make a component that “remembers” using the components that we know already?

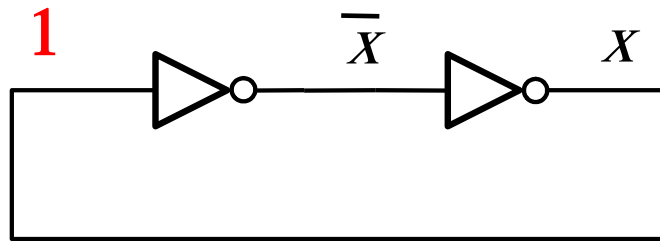
A simple memory element



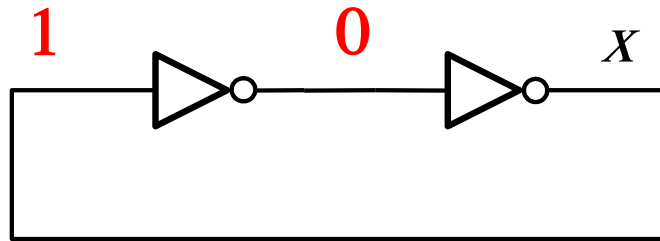
A simple memory element with NOT Gates



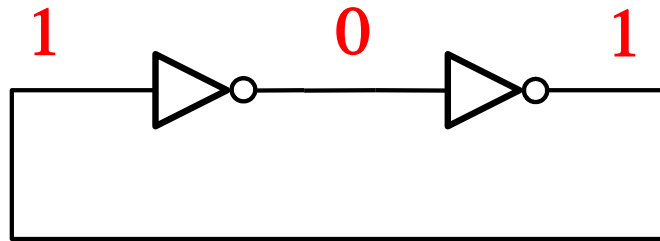
A simple memory element with NOT Gates



A simple memory element with NOT Gates

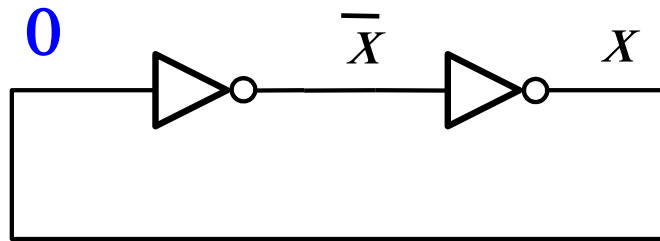


A simple memory element with NOT Gates

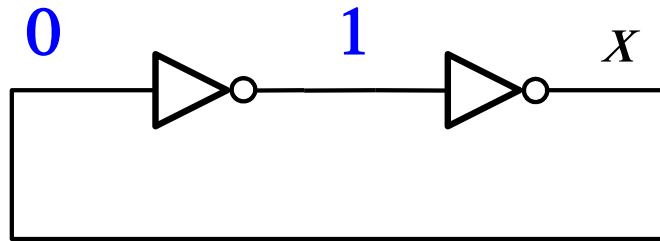


The circuit will stay in this state indefinitely.

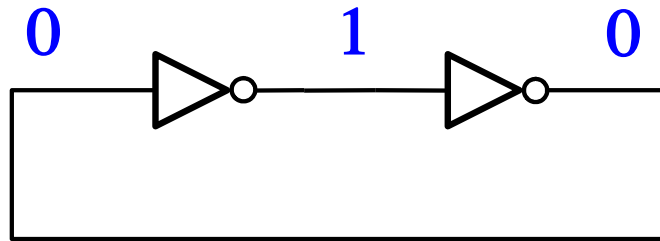
A simple memory element with NOT Gates



A simple memory element with NOT Gates



A simple memory element with NOT Gates

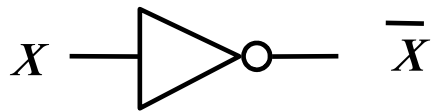


The circuit will stay in this state indefinitely.

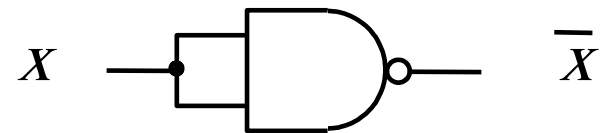
A Strange Loop



Building a NOT gate with a NAND gate



x	\bar{x}
0	1
1	0

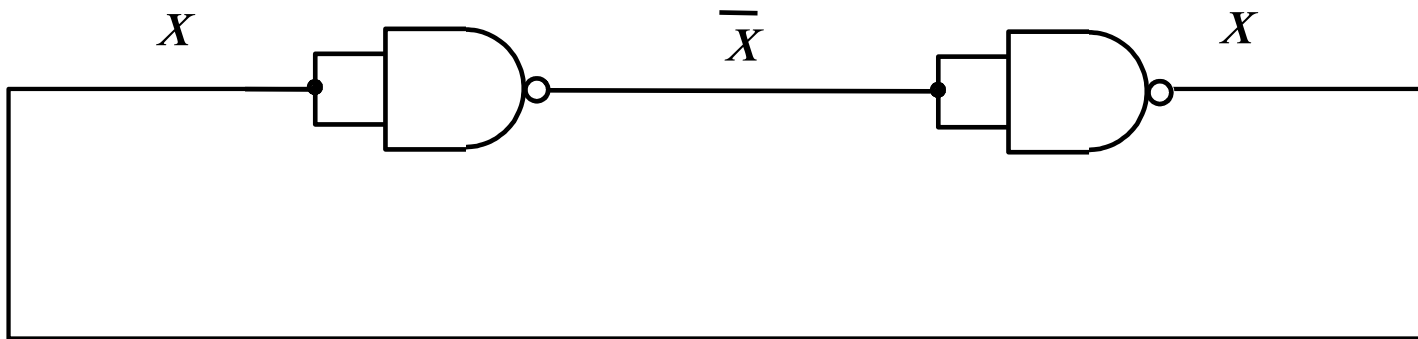


x	x	f
0	0	1
[Redacted]		
1	1	0

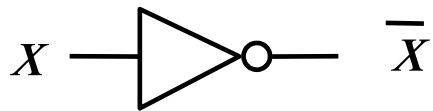
impossible combinations

Thus, the two truth tables are equal!

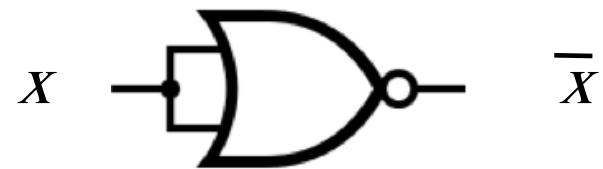
A simple memory element with NAND Gates



Building a NOT gate with a NOR gate



x	\bar{x}
0	1
1	0

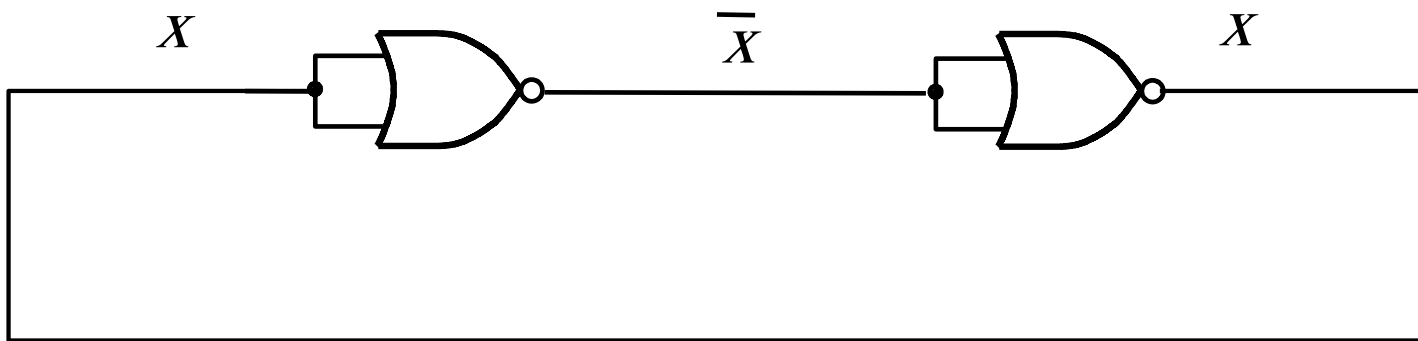


x	x	f
0	0	1
1	1	0

impossible combinations

Thus, the two truth tables are equal!

A simple memory element with NOR Gates

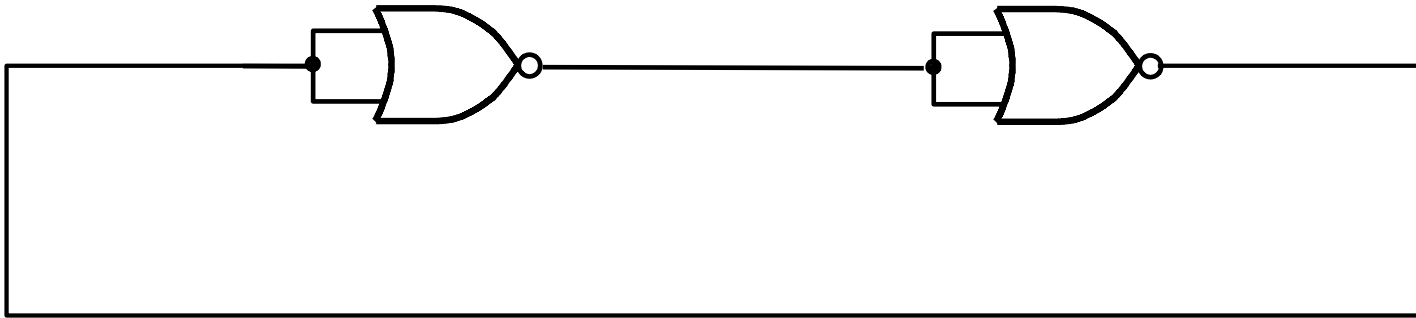


Basic Latch

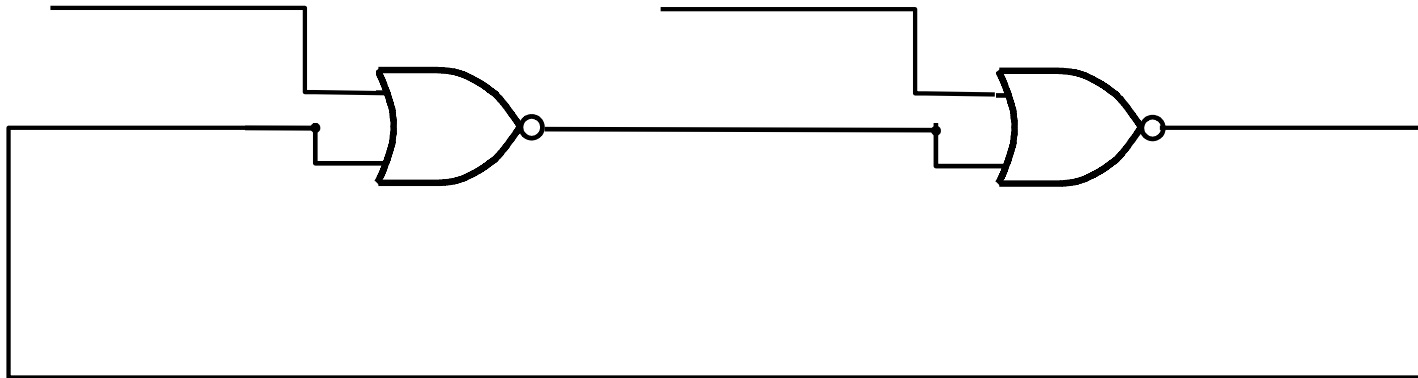
What is a latch?



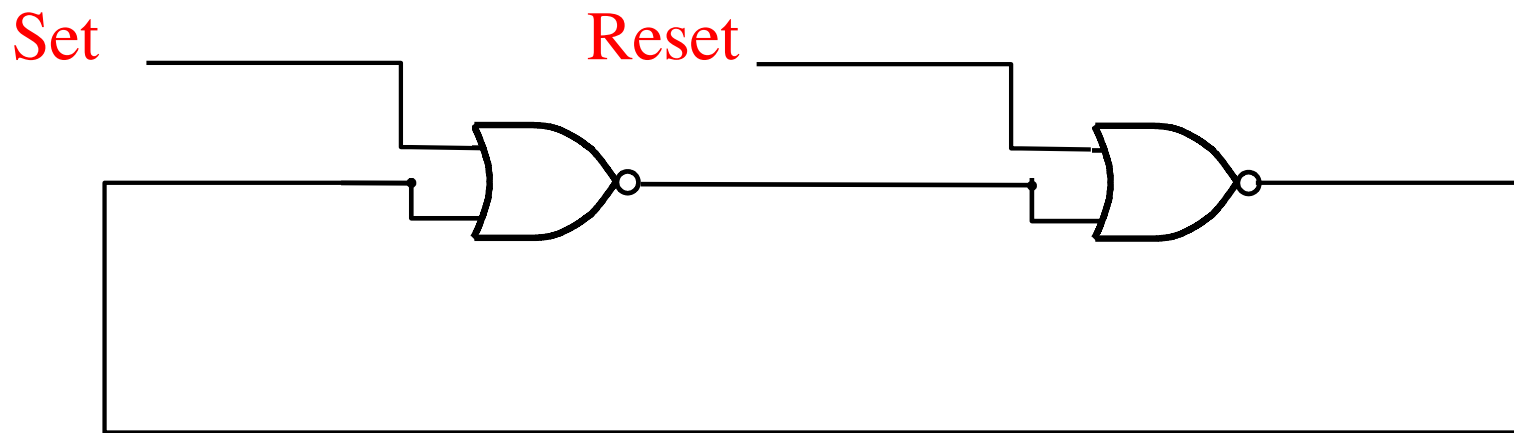
A simple memory element with NOR Gates



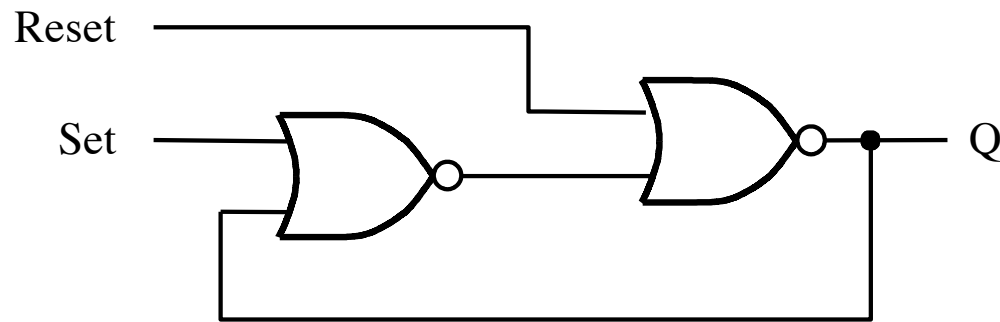
A simple memory element with NOR Gates



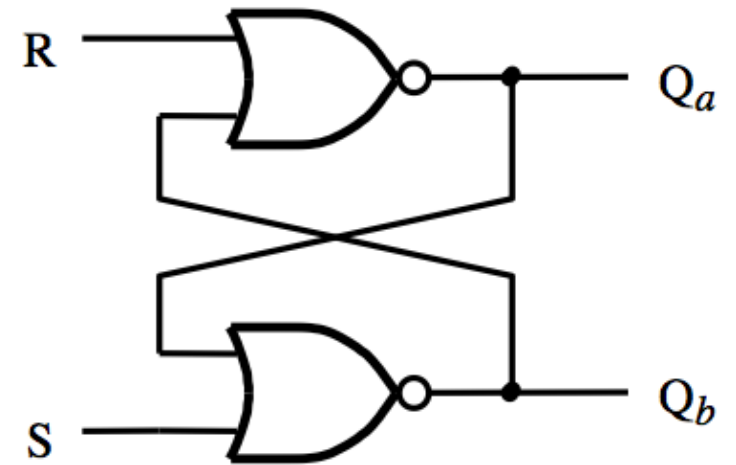
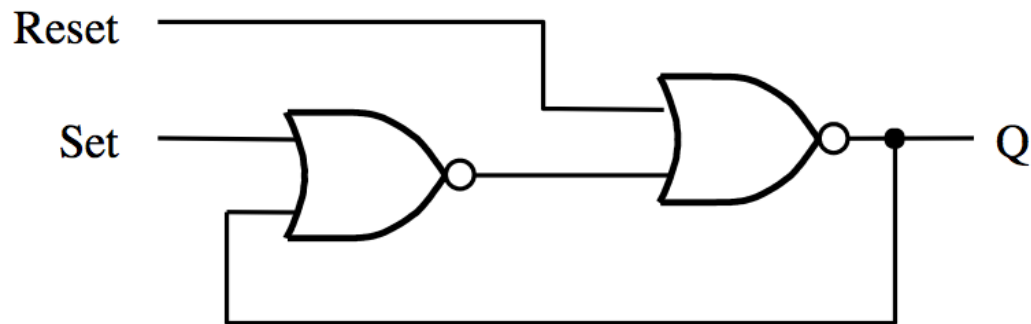
A simple memory element with NOR Gates



A memory element with NOR gates

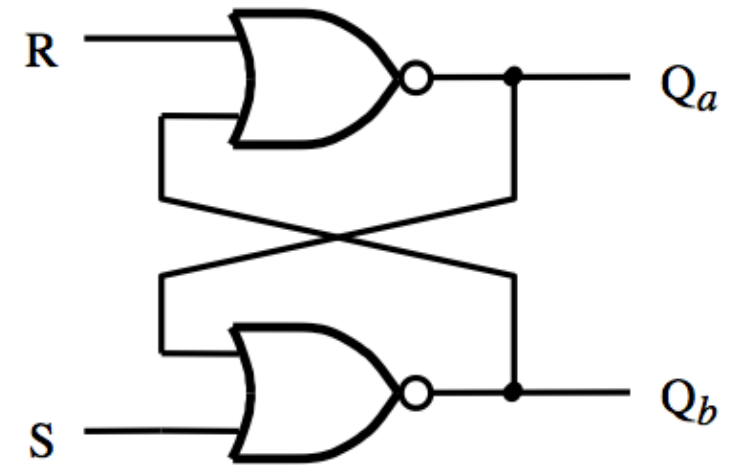
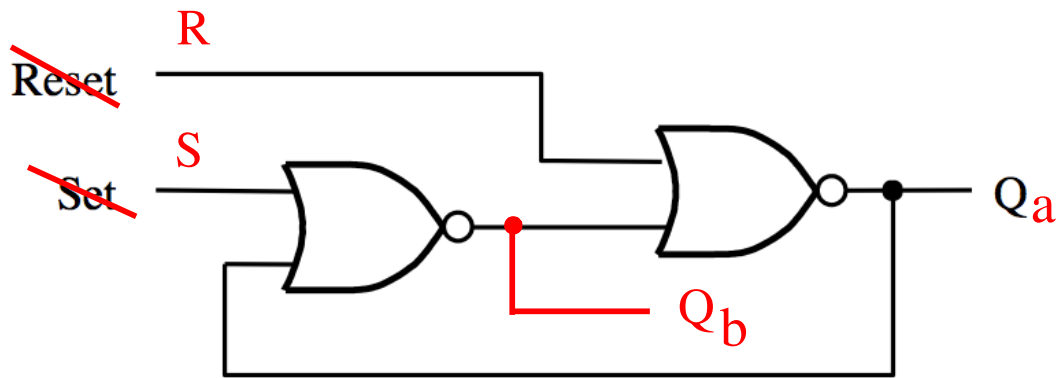


Two Different Ways to Draw the Same Circuit



[Figure 5.3 & 5.4 from the textbook]

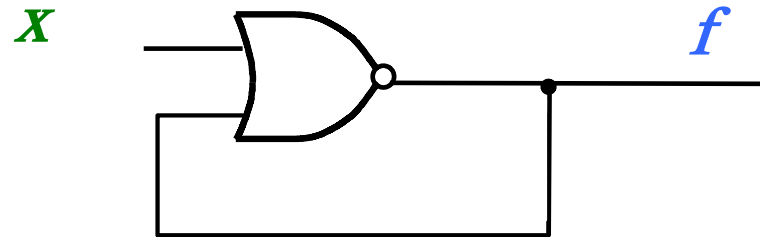
Two Different Ways to Draw the Same Circuit



[Figure 5.3 & 5.4 from the textbook]

**Before We Analyze the Basic Latch
Let's Look at a Two Simpler
Examples with Feedback**

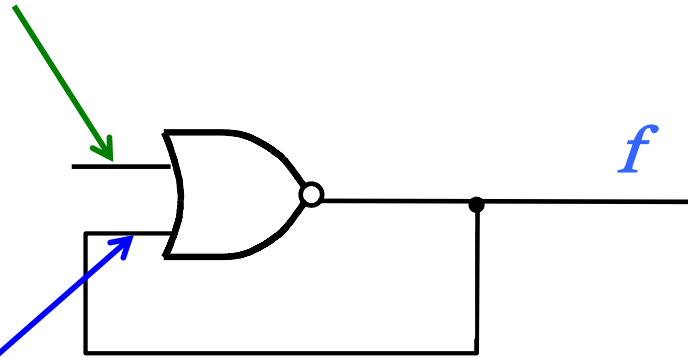
Let's Try to Analyze This Circuit



Let's Try to Analyze This Circuit

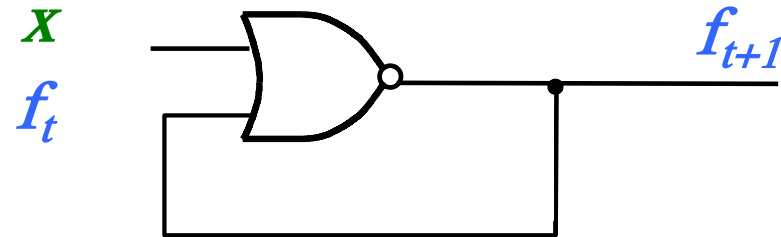
Control Line

x



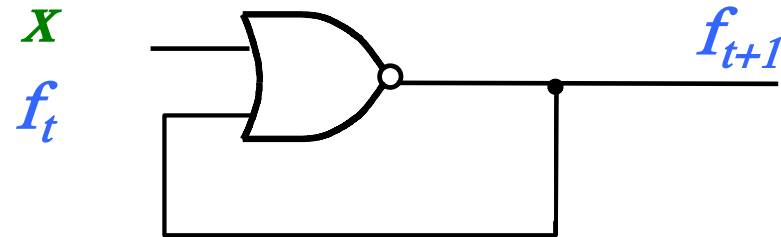
Data Line

Let's Try to Analyze This Circuit



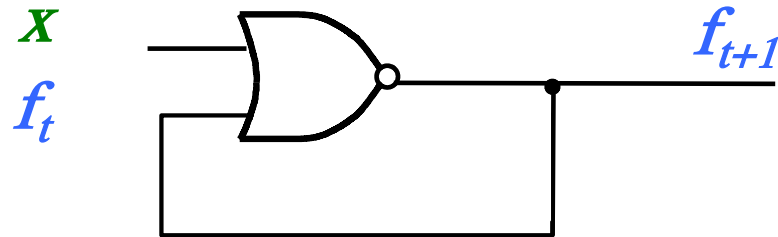
x	f_t	f_{t+1}
0	0	
0	1	
1	0	
1	1	

Let's Try to Analyze This Circuit



x	f_t	f_{t+1}
0	0	1
0	1	0
1	0	0
1	1	0

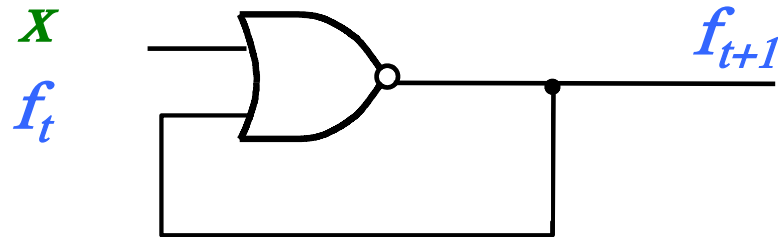
Let's Try to Analyze This Circuit



x	f_t	f_{t+1}
0	0	1
0	1	0
1	0	0
1	1	0

Red annotations: A vertical red line is to the left of the table. A horizontal red line is below the second row. A red bracket on the right groups the first two rows, with the label $\overline{f_t}$ next to it. Another red bracket on the right groups the last two rows, with the label 0 next to it.

Let's Try to Analyze This Circuit



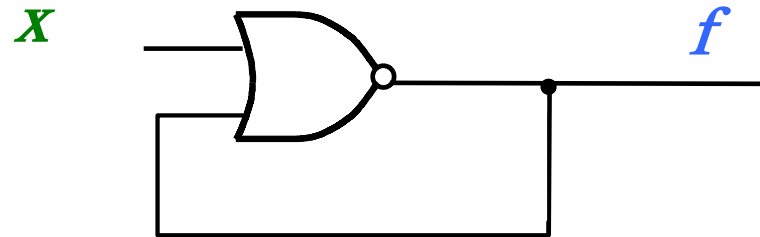
x	f_t	f_{t+1}
0	0	1
0	1	0
1	0	0
1	1	0

Red annotations: A vertical red line is drawn between the x and f_t columns. A horizontal red line is drawn between the f_t and f_{t+1} columns. A red bracket on the right groups the first two rows, with the label $\overline{f_t}$ next to it. Another red bracket on the right groups the last two rows, with the label 0 next to it.

If $x = 0$, then f is negated.

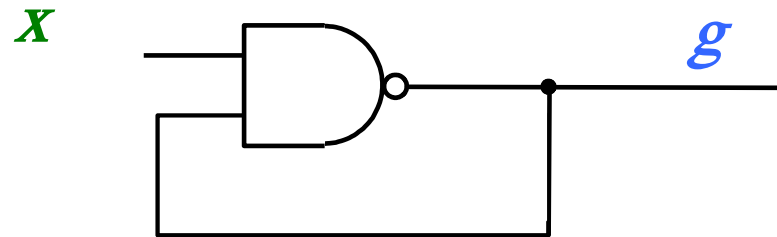
If $x = 1$, then f is driven to 0.

Key Observation

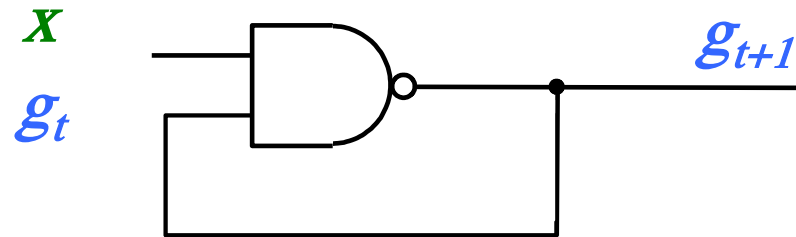


If a NOR's **control line** is 0, then that NOR just *negates* its **data line**. If the **control line** is 1, then the NOR's output is *driven* to 0, ignoring its **data line**.

Let's Try to Analyze This Circuit

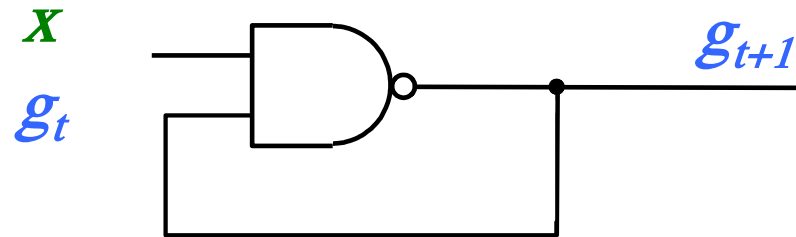


Let's Try to Analyze This Circuit



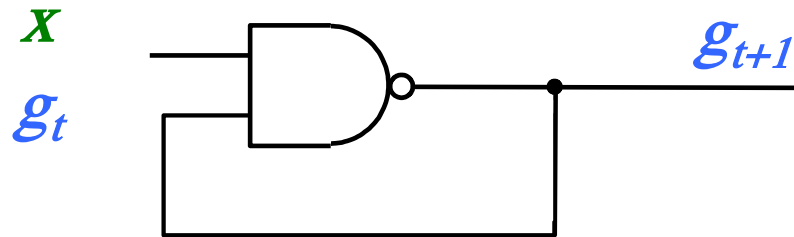
x	g_t	g_{t+1}
0	0	
0	1	
1	0	
1	1	

Let's Try to Analyze This Circuit



x	g_t	g_{t+1}
0	0	1
0	1	1
1	0	1
1	1	0

Let's Try to Analyze This Circuit



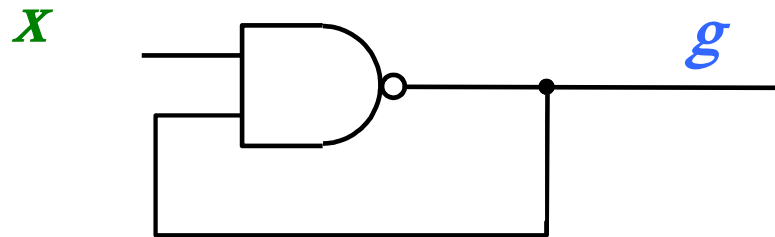
x	g_t	g_{t+1}
0	0	1
0	1	1
1	0	1
1	1	0

Red annotations: A vertical red line is drawn between the first and second columns. A horizontal red line is drawn between the second and third rows. A red bracket on the right side groups the first two rows, with a '1' next to it. Another red bracket on the right side groups the last two rows, with ' $\neg g_t$ ' next to it.

If $x = 0$, then g is driven to one.

If $x = 1$, then g is negated.

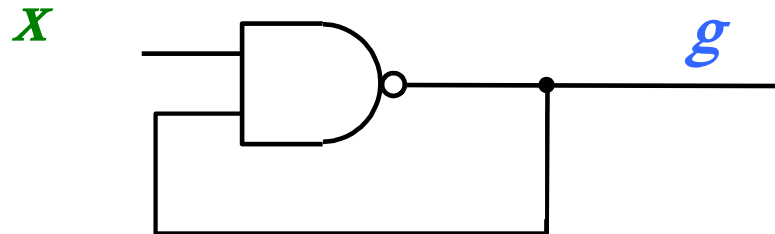
Key Observation



If a NAND's **control line** is 1, then that NAND just *negates* its **data line**. If the **control line** is 0, then the NAND's output is *driven* to 1, ignoring its **data line**.

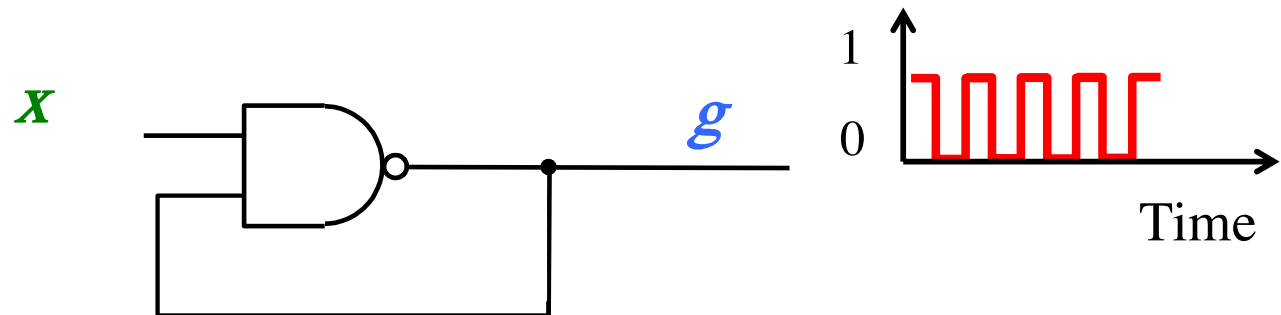
Output Oscillations

What would happen to g if we keep $x=1$ for a long time?



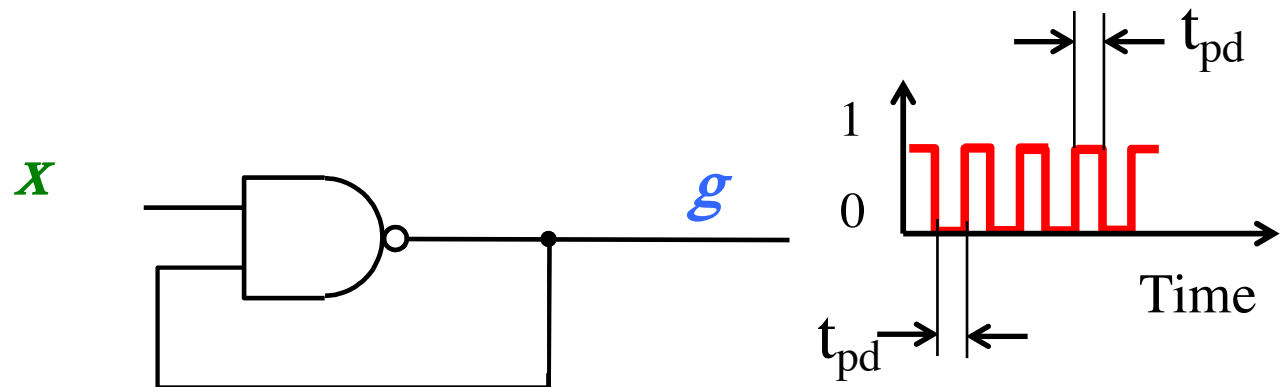
Output Oscillations

What would happen to g if we keep $x=1$ for a long time?



Output Oscillations

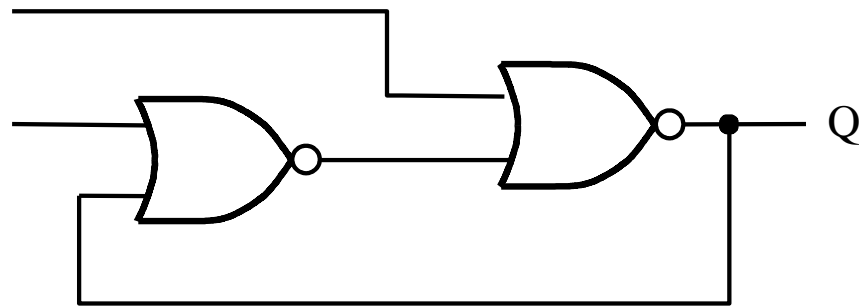
What would happen to g if we keep $x=1$ for a long time?



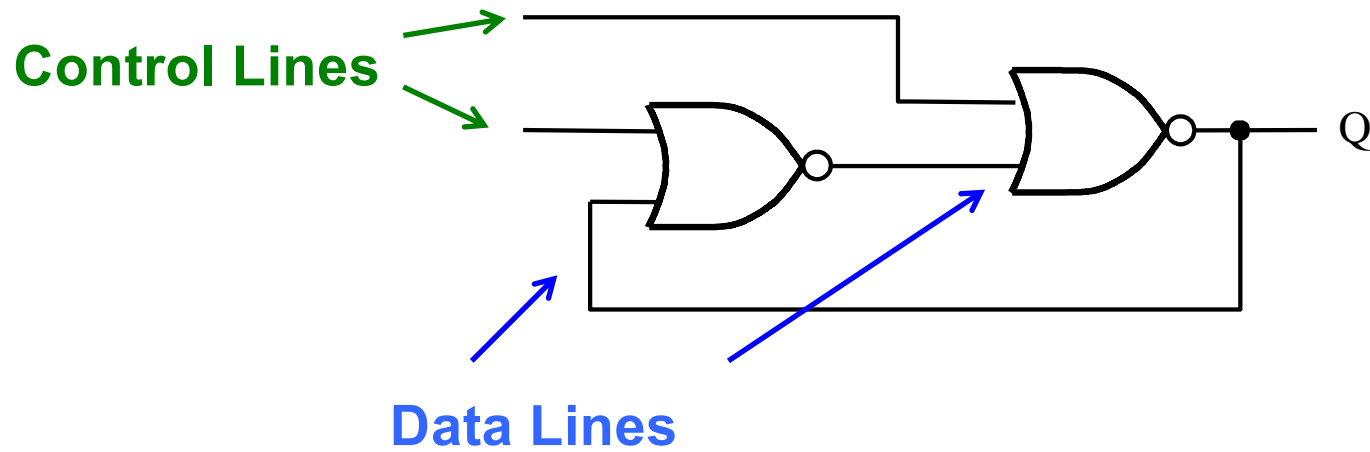
t_{pd} is the propagation delay through the NAND gate, which is small, but not zero.

Back to the Basic Latch

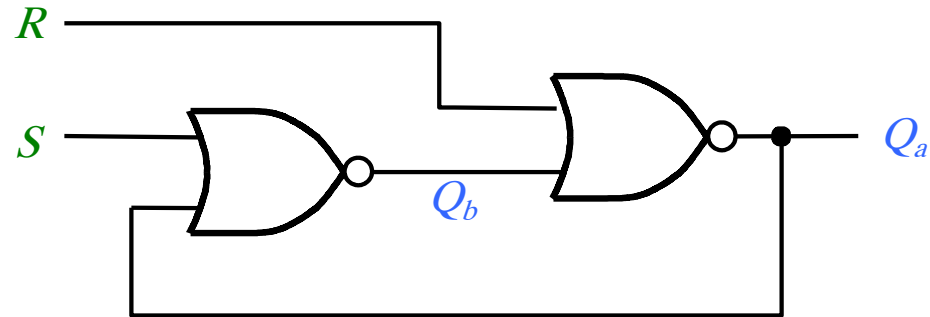
The Basic Latch



The Basic Latch



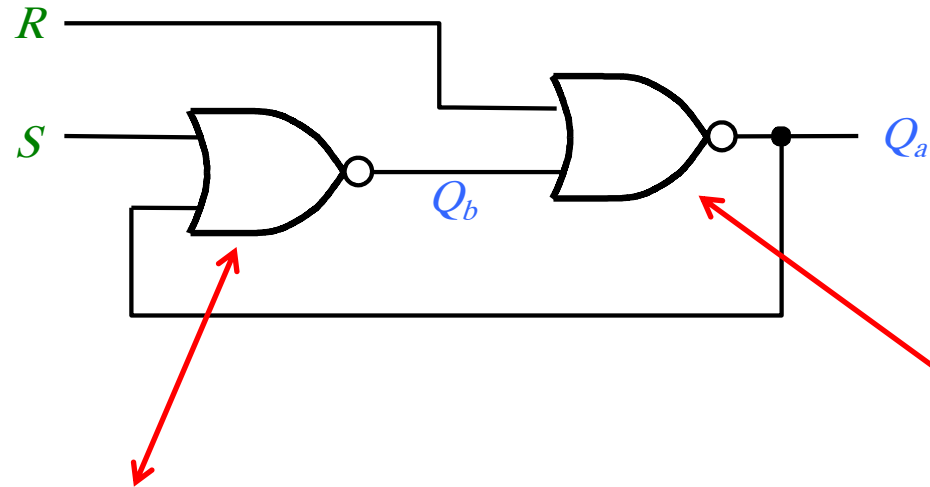
Analyzing The Basic Latch



S	Q_a	$Q_b = \text{NOR}(S, Q_a)$
0	0	
0	1	
1	0	
1	1	

R	Q_b	$Q_a = \text{NOR}(R, Q_b)$
0	0	
0	1	
1	0	
1	1	

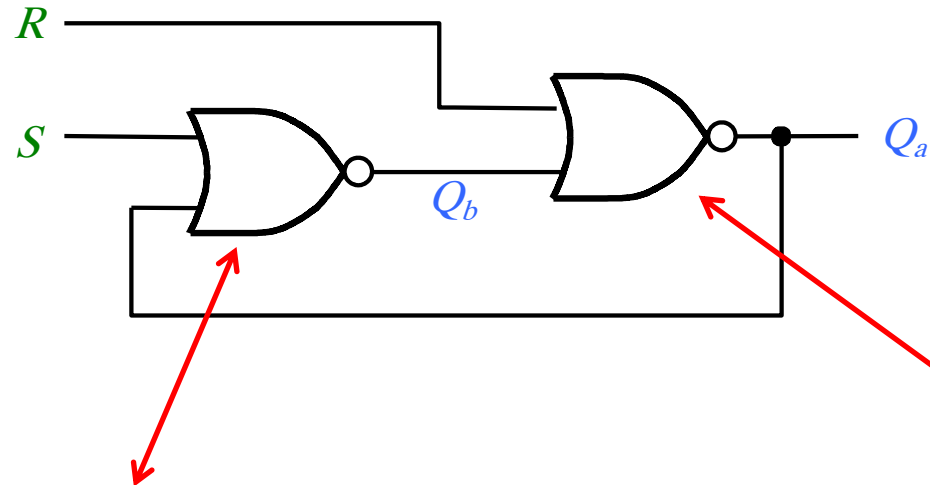
Analyzing The Basic Latch



S	Q_a	$Q_b = \text{NOR}(S, Q_a)$
0	0	1
0	1	0
1	0	0
1	1	0

R	Q_b	$Q_a = \text{NOR}(R, Q_b)$
0	0	1
0	1	0
1	0	0
1	1	0

Analyzing The Basic Latch



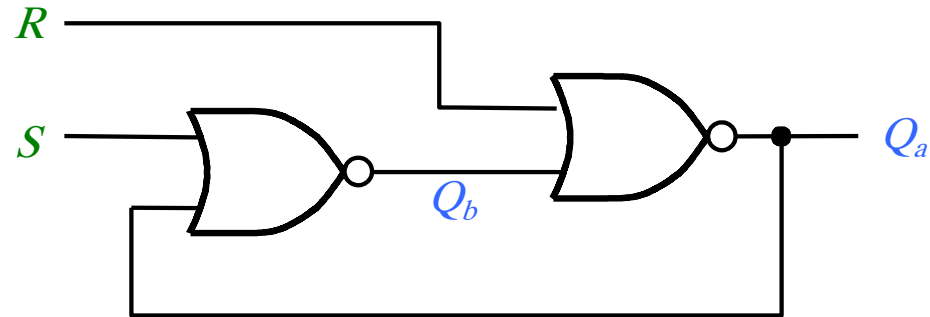
S	Q_a	$Q_b = \text{NOR}(S, Q_a)$
0	0	1
0	1	0
1	0	0
1	1	0

Red annotations on the right side of the table indicate that the first two rows result in $\overline{Q_a}$ and the last two rows result in 0.

R	Q_b	$Q_a = \text{NOR}(R, Q_b)$
0	0	1
0	1	0
1	0	0
1	1	0

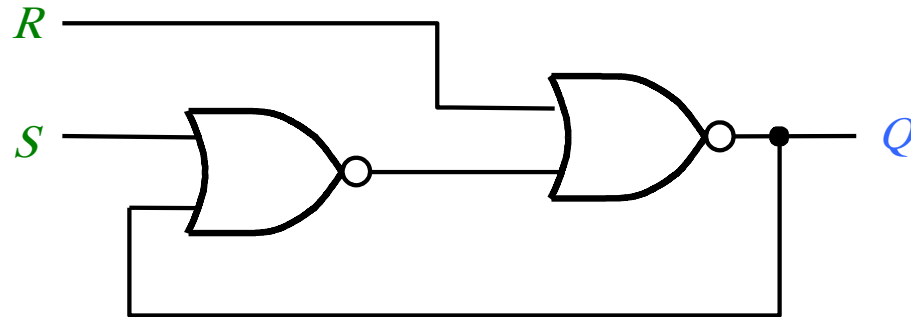
Red annotations on the right side of the table indicate that the first two rows result in $\overline{Q_b}$ and the last two rows result in 0.

Analyzing The Basic Latch



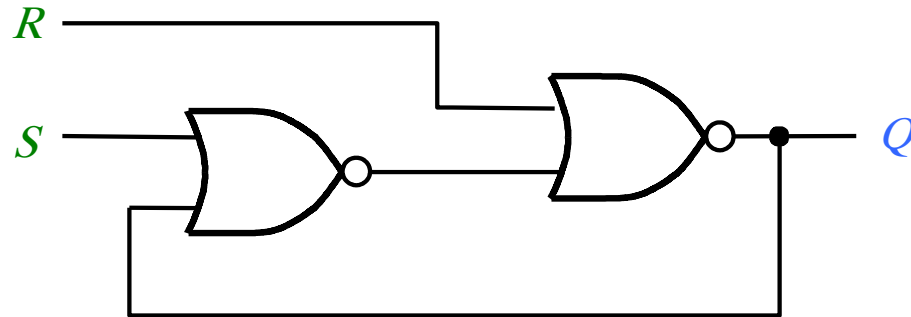
S	Q_b	R	Q_a
0	$\overline{Q_a}$	0	$\overline{Q_b}$
1	0	1	0

Behavior of the Basic Latch



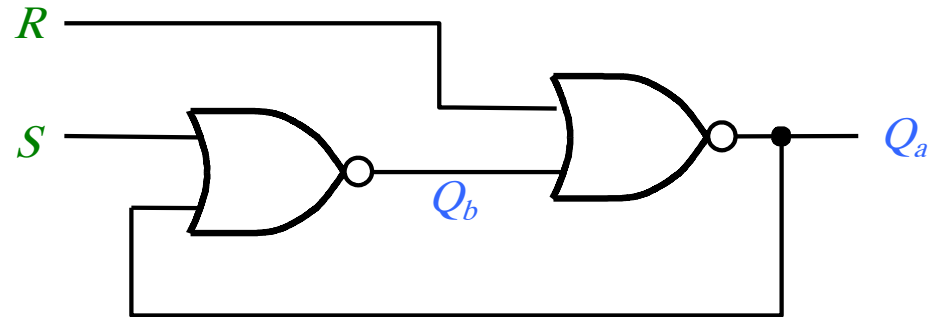
S	R	Q_{t+1}
0	0	
0	1	
1	0	
1	1	

Behavior of the Basic Latch



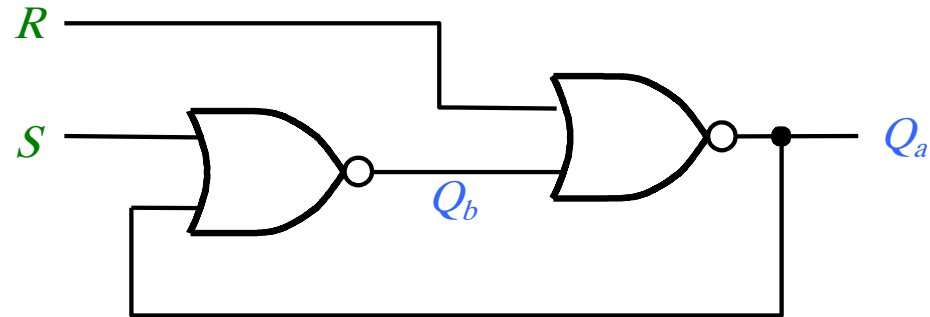
S	R	Q_{t+1}
0	0	Q_t
0	1	0
1	0	1
1	1	0

Behavior of the Basic Latch



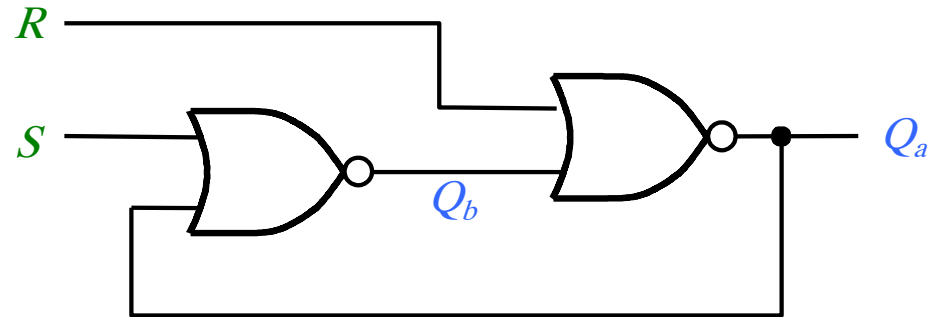
S	R	$Q_a(t+1)$	$Q_b(t+1)$
0	0		
0	1		
1	0		
1	1		

Behavior of the Basic Latch



S	R	$Q_a(t+1)$	$Q_b(t+1)$
0	0	$Q_a(t)$	$Q_b(t)$
0	1	0	1
1	0	1	0
1	1	0	0

Behavior of the Basic Latch



S	R	$Q_a(t+1)$	$Q_b(t+1)$
0	0	$Q_a(t)$	$Q_b(t)$
0	1	0	1
1	0	1	0
1	1	0	0

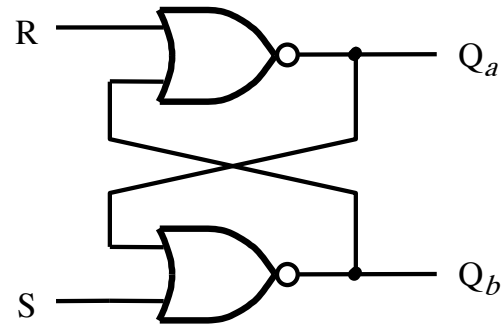
Latch

Reset

Set

Undesirable

Circuit and Characteristic Table



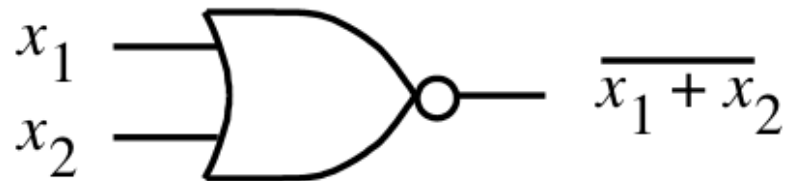
(a) Circuit

S	R	Q_a	Q_b
0	0	0/1	1/0 (no change)
0	1	0	1
1	0	1	0
1	1	0	0

(b) Characteristic table

[Figure 5.4a,b from the textbook]

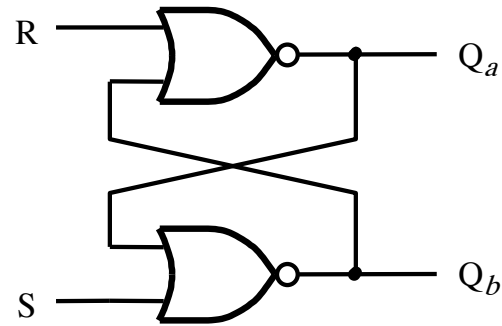
NOR Gate



NOR Gate Truth table

x_1	x_2	f
0	0	1
0	1	0
1	0	0
1	1	0

Circuit and Characteristic Table



(a) Circuit

S	R	Q_a	Q_b
0	0	0/1	1/0 (no change)
0	1	0	1
1	0	1	0
1	1	0	0

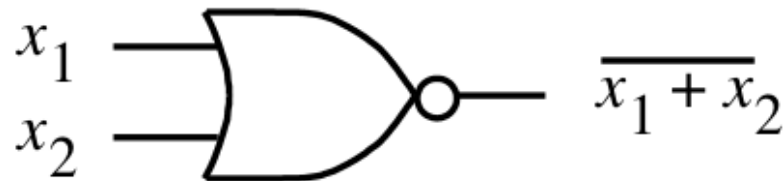
(b) Characteristic table

A truth table should take the state into account.

A characteristic table takes only the inputs into account.

[Figure 5.4a,b from the textbook]

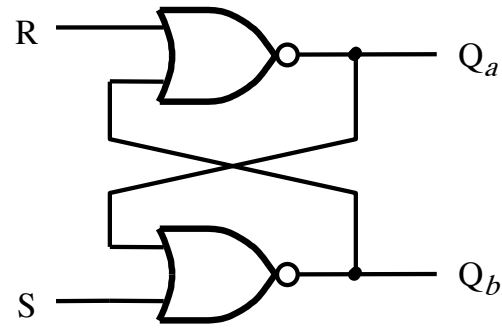
NOR Gate



NOR Gate Truth table

x_1	x_2	f
0	0	1
0	1	0
1	0	0
1	1	0

Circuit and Characteristic Table



(a) Circuit

S	R	Q_a	Q_b
0	0	0/1	1/0
0	1	0	1
1	0	1	0
1	1	0	0

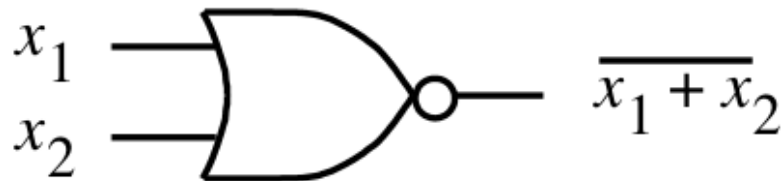
(no change)

Note that Q_a and Q_b are inverses of each other!

(b) Characteristic table

[Figure 5.4a,b from the textbook]

NOR Gate



NOR Gate Truth table

x_1	x_2	f
0	0	1
0	1	0
1	0	0
1	1	0

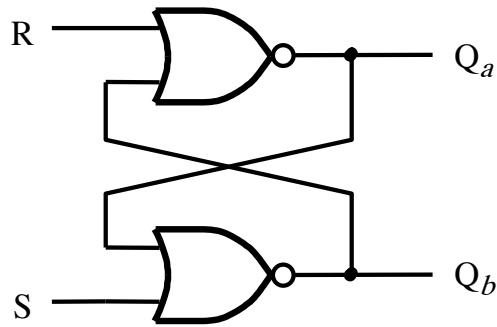
Oscillations and Undesirable States

- **When $S=1$ and $R=1$ both outputs of the latch are equal to 0, i.e., $Q_a=0$ and $Q_b=0$.**
- **Thus, the two outputs are no longer complements of each other.**
- **This is undesirable as many of the circuits that we will build later with these latches rely on the assumption that the two outputs are always complements of each other.**
- **(This is obviously not the case for the basic latch, but we will patch it later to eliminate this problem).**

Oscillations and Undesirable States

- An even bigger problem occurs when we transition from $S=R=1$ to $S=R=0$.
- When $S=R=1$ we have $Q_a=Q_b=0$. After the transition to $S=R=0$, however, we get $Q_a=Q_b=1$, which would immediately cause $Q_a=Q_b=0$, and so on.
- If the gate delays and the wire lengths are identical, then this oscillation will continue forever.
- In practice, the oscillation dies down and the output settles into either $Q_a=1$ and $Q_b=0$ or $Q_a=0$ and $Q_b=1$.
- The problem is that **we can't predict** which one of these two it will settle into.

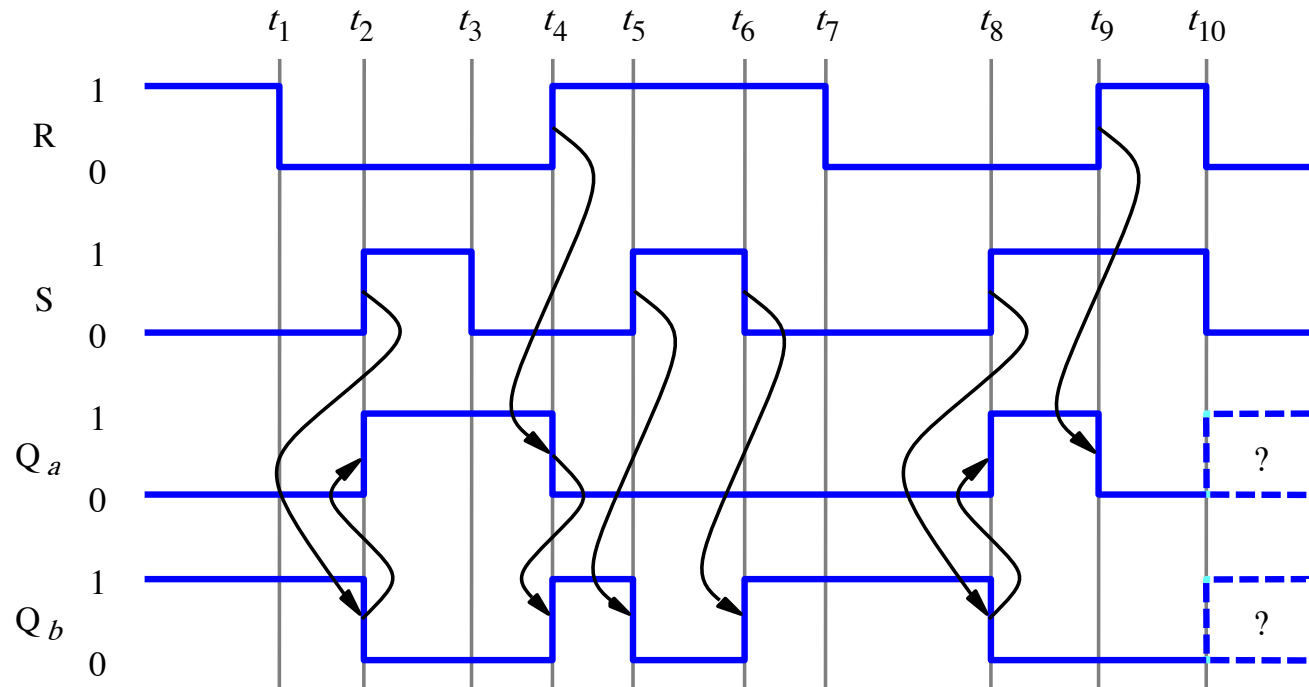
Timing Diagram for the Basic Latch with NOR Gates



(a) Circuit

S	R	Q_a	Q_b
0	0	0/1	1/0 (no change)
0	1	0	1
1	0	1	0
1	1	0	0

(b) Characteristic table

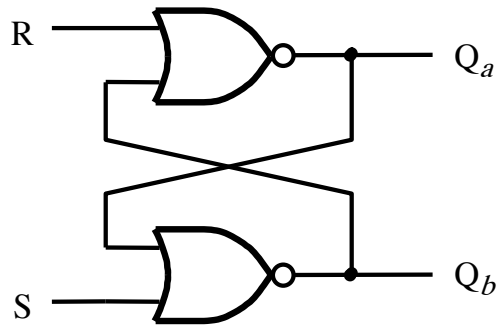


→ Time

(c) Timing diagram

[Figure 5.4 from the textbook]

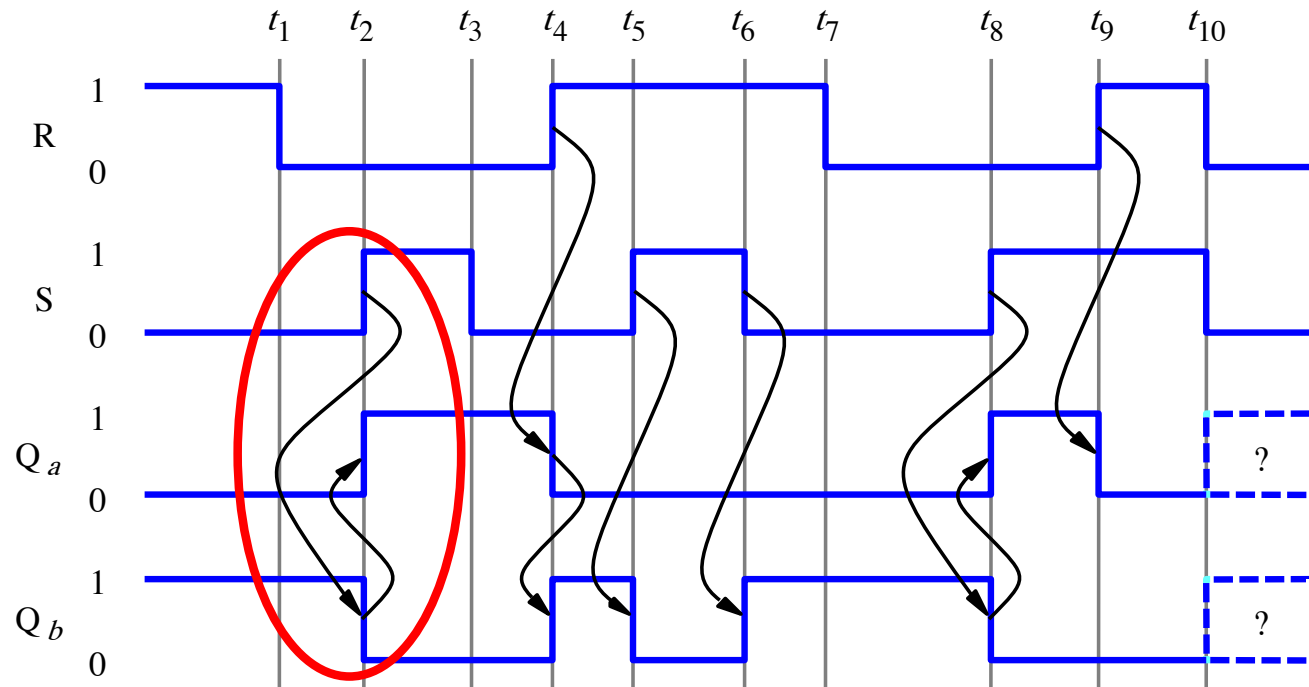
Timing Diagram for the Basic Latch with NOR Gates



(a) Circuit

S	R	Q_a	Q_b
0	0	0/1	1/0 (no change)
0	1	0	1
1	0	1	0
1	1	0	0

(b) Characteristic table

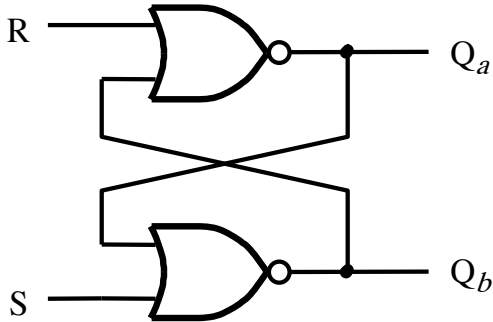


→ Time

(c) Timing diagram

[Figure 5.4 from the textbook]

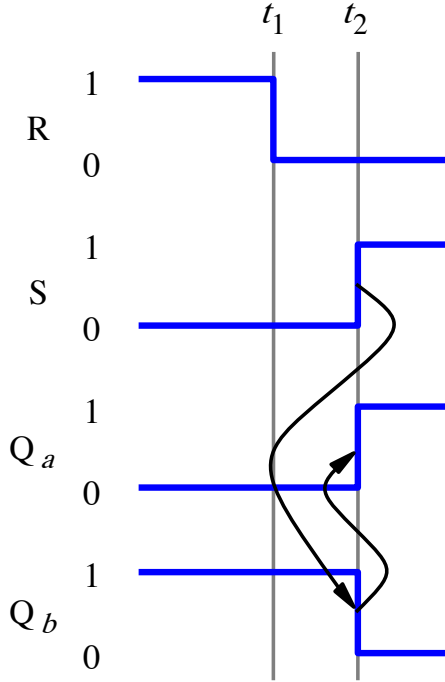
Timing Diagram for the Basic Latch with NOR Gates



(a) Circuit

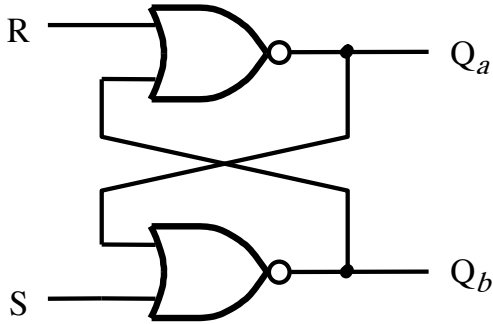
S	R	Q_a	Q_b
0	0	0/1	1/0 (no change)
0	1	0	1
1	0	1	0
1	1	0	0

(b) Characteristic table



(c) Timing diagram

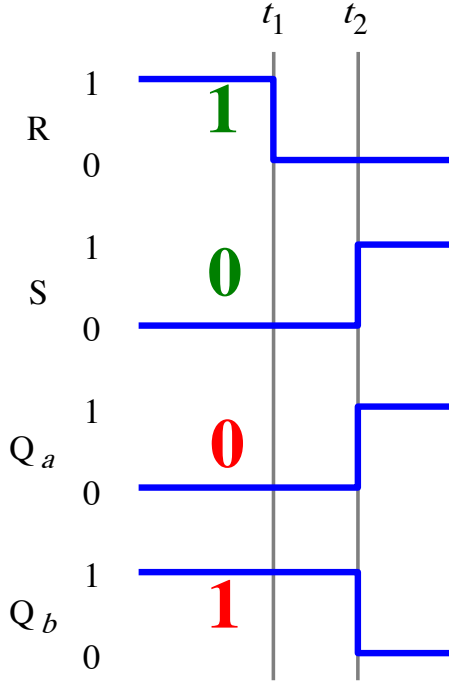
Timing Diagram for the Basic Latch with NOR Gates



(a) Circuit

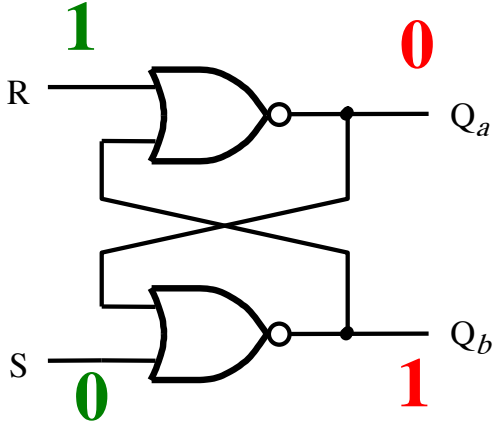
S	R	Q_a	Q_b
0	0	0/1	1/0 (no change)
0	1	0	1
1	0	1	0
1	1	0	0

(b) Characteristic table



(c) Timing diagram

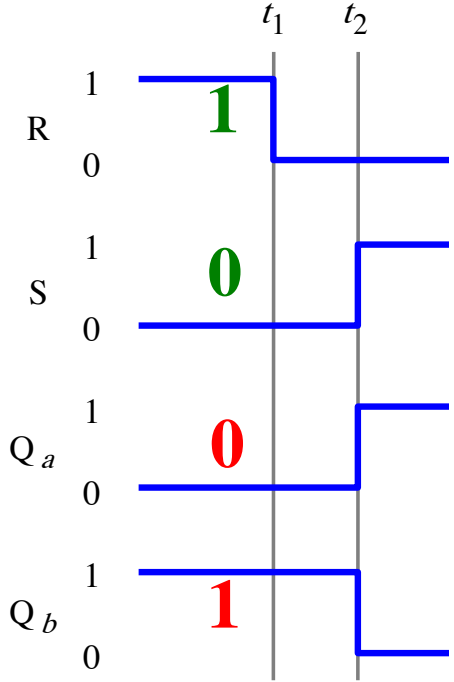
Timing Diagram for the Basic Latch with NOR Gates



(a) Circuit

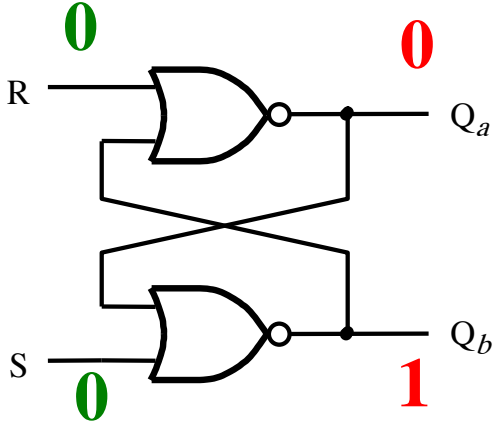
S	R	Q_a	Q_b	
0	0	0/1	1/0	(no change)
0	1	0	1	
1	0	1	0	
1	1	0	0	

(b) Characteristic table



(c) Timing diagram

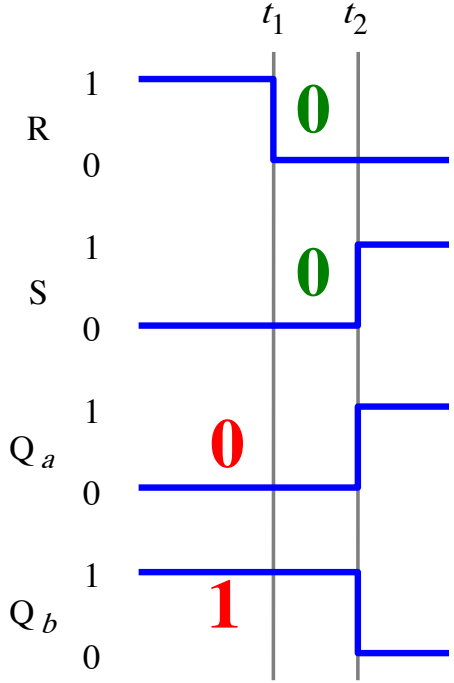
Timing Diagram for the Basic Latch with NOR Gates



(a) Circuit

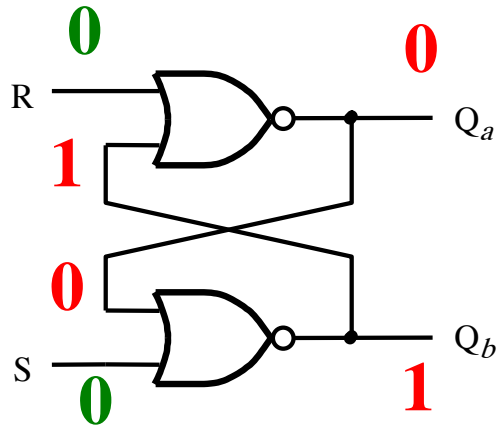
S	R	Q _a	Q _b	
0	0	0/1	1/0	(no change)
0	1	0	1	
1	0	1	0	
1	1	0	0	

(b) Characteristic table



(c) Timing diagram

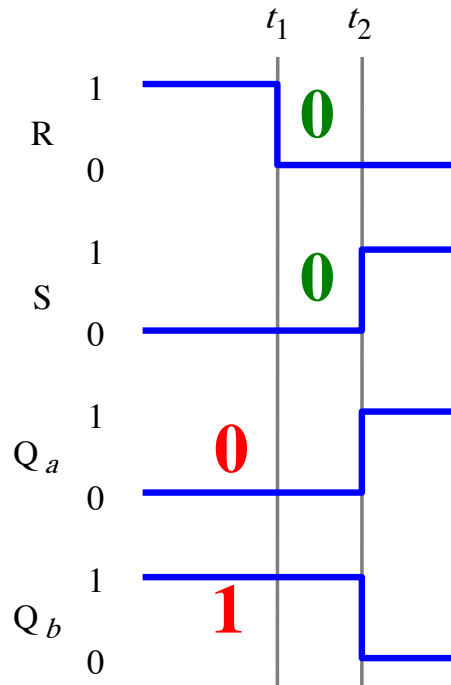
Timing Diagram for the Basic Latch with NOR Gates



(a) Circuit

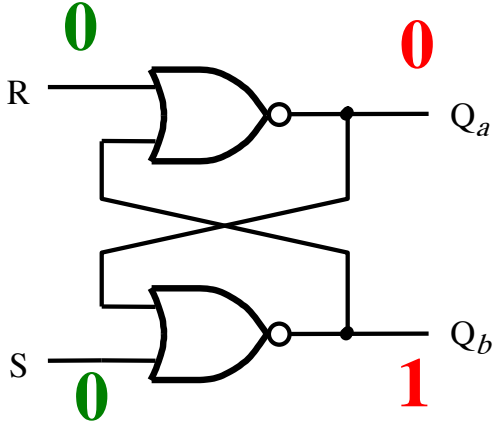
S	R	Q _a	Q _b	
0	0	0/1	1/0	(no change)
0	1	0	1	
1	0	1	0	
1	1	0	0	

(b) Characteristic table



(c) Timing diagram

Timing Diagram for the Basic Latch with NOR Gates

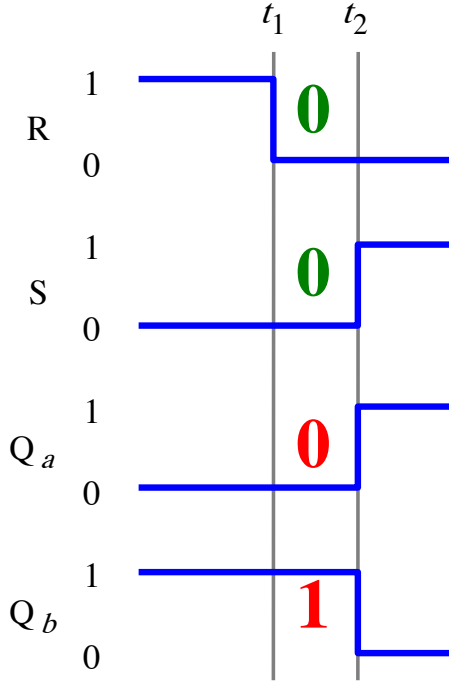


(a) Circuit

S	R	Q _a	Q _b
0	0	0/1	1/0
0	1	0	1
1	0	1	0
1	1	0	0

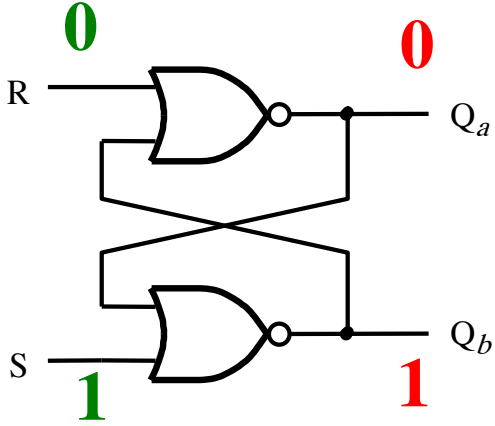
(no change)

(b) Characteristic table



(c) Timing diagram

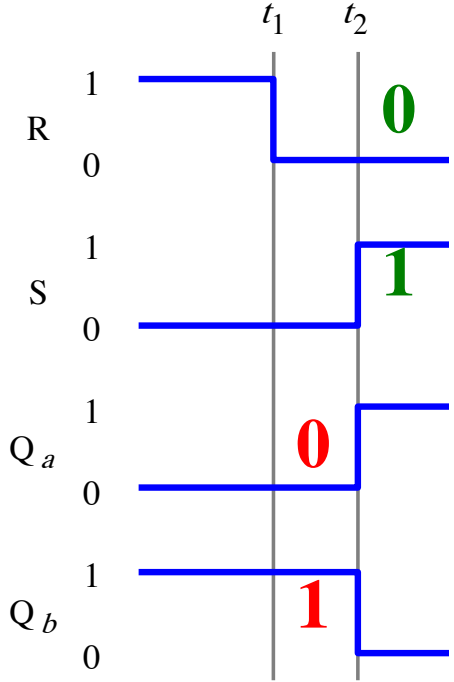
Timing Diagram for the Basic Latch with NOR Gates



(a) Circuit

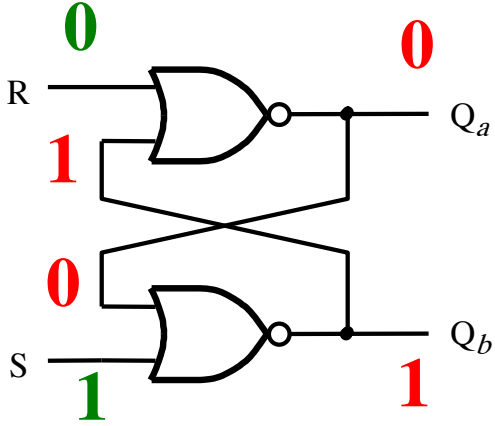
S	R	Q _a	Q _b	
0	0	0/1	1/0	(no change)
0	1	0	1	
1	0	1	0	
1	1	0	0	

(b) Characteristic table



(c) Timing diagram

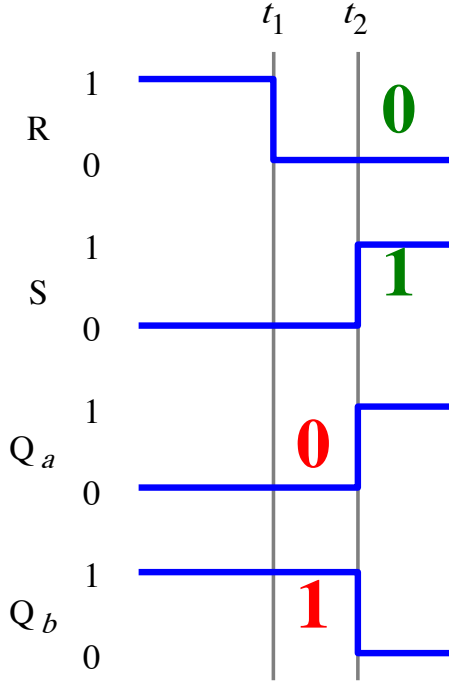
Timing Diagram for the Basic Latch with NOR Gates



(a) Circuit

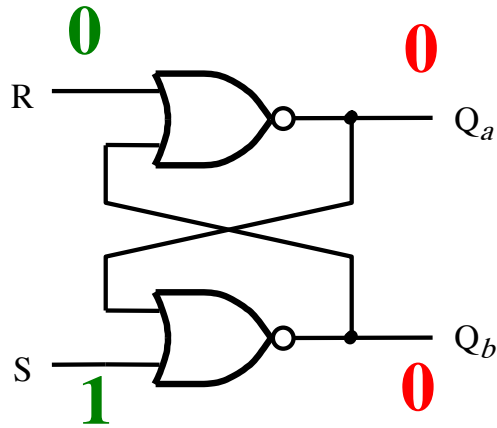
S	R	Q _a	Q _b	
0	0	0/1	1/0	(no change)
0	1	0	1	
1	0	1	0	
1	1	0	0	

(b) Characteristic table



(c) Timing diagram

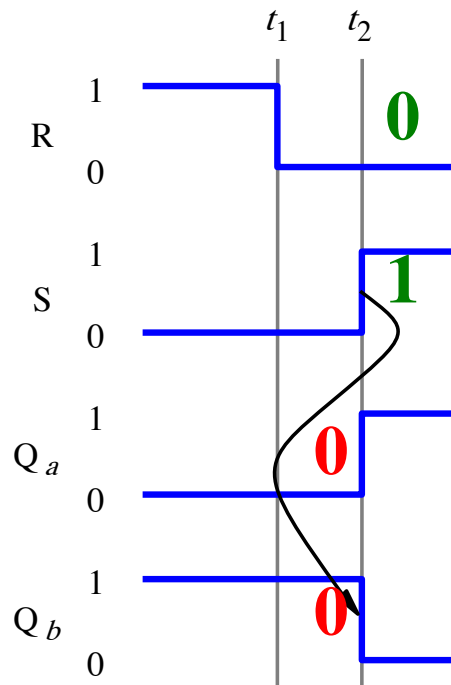
Timing Diagram for the Basic Latch with NOR Gates



(a) Circuit

S	R	Q_a	Q_b	
0	0	0/1	1/0	(no change)
0	1	0	1	
1	0	1	0	
1	1	0	0	

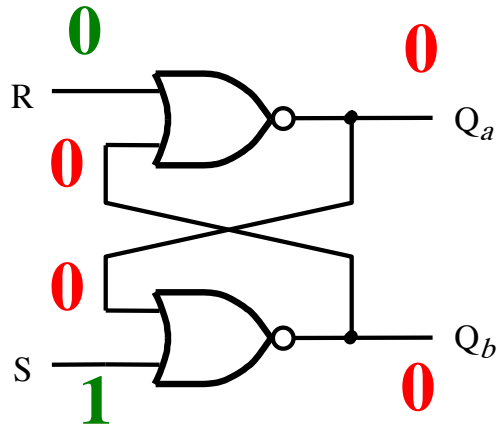
(b) Characteristic table



(c) Timing diagram

For a brief moment the latch goes through the undesirable state $Q_a=0$ and $Q_b=0$.

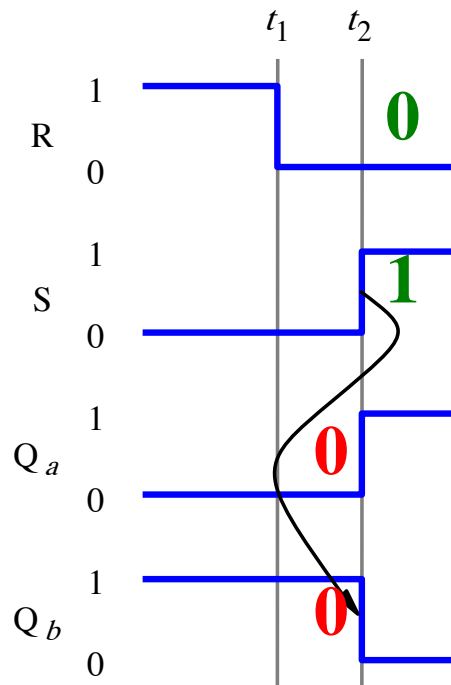
Timing Diagram for the Basic Latch with NOR Gates



(a) Circuit

S	R	Q _a	Q _b	
0	0	0/1	1/0	(no change)
0	1	0	1	
1	0	1	0	
1	1	0	0	

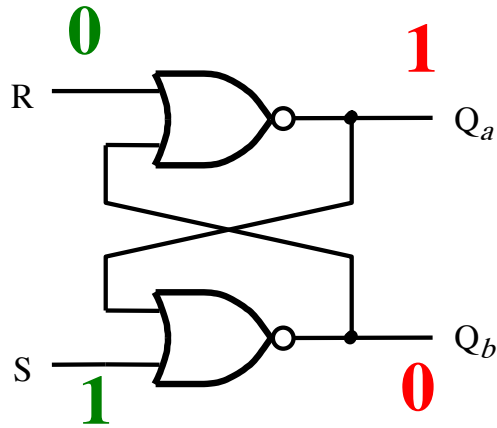
(b) Characteristic table



(c) Timing diagram

But these zeros loop around ...

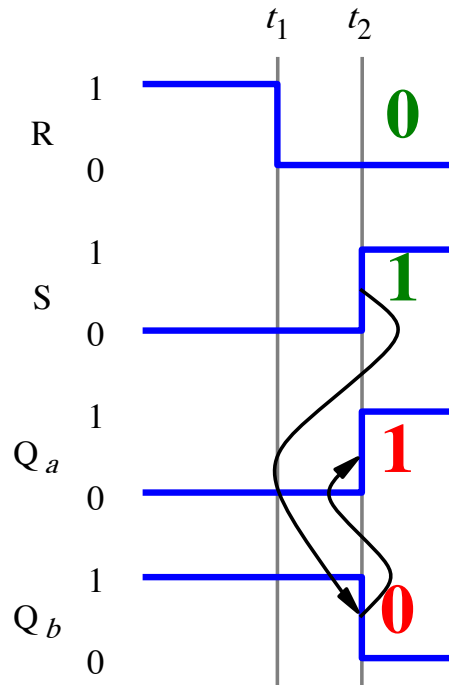
Timing Diagram for the Basic Latch with NOR Gates



(a) Circuit

S	R	Q _a	Q _b	
0	0	0/1	1/0	(no change)
0	1	0	1	
1	0	1	0	
1	1	0	0	

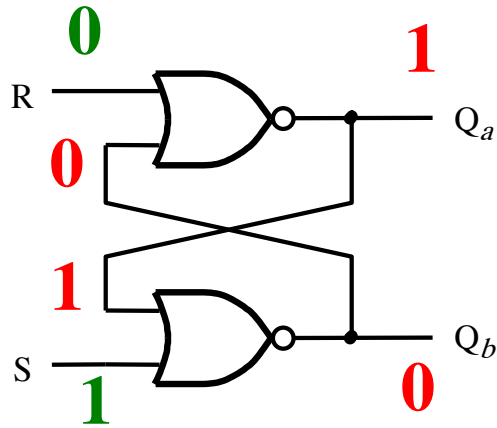
(b) Characteristic table



(c) Timing diagram

... and set it to Q_a=1 and Q_b=0.

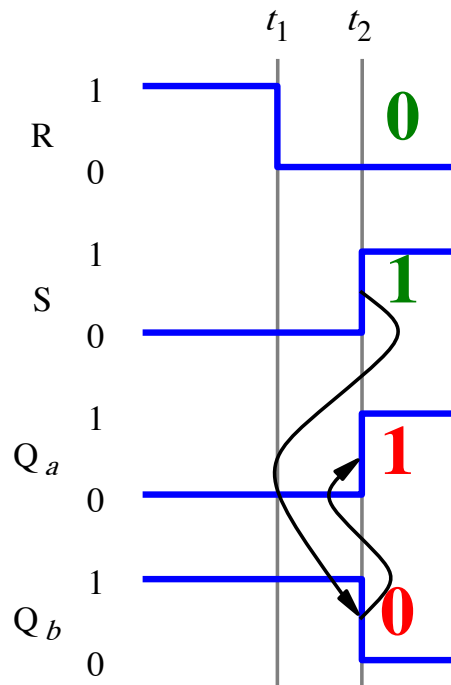
Timing Diagram for the Basic Latch with NOR Gates



(a) Circuit

S	R	Q _a	Q _b	
0	0	0/1	1/0	(no change)
0	1	0	1	
1	0	1	0	
1	1	0	0	

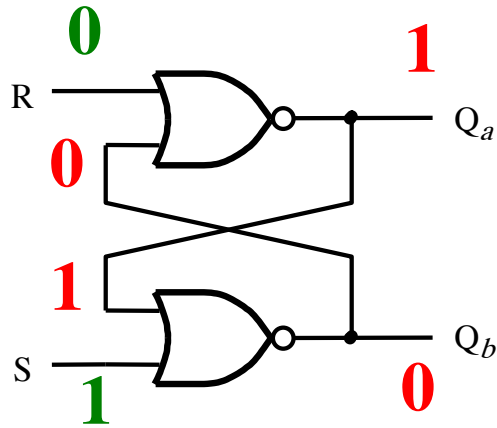
(b) Characteristic table



(c) Timing diagram

The new values also loop around ...

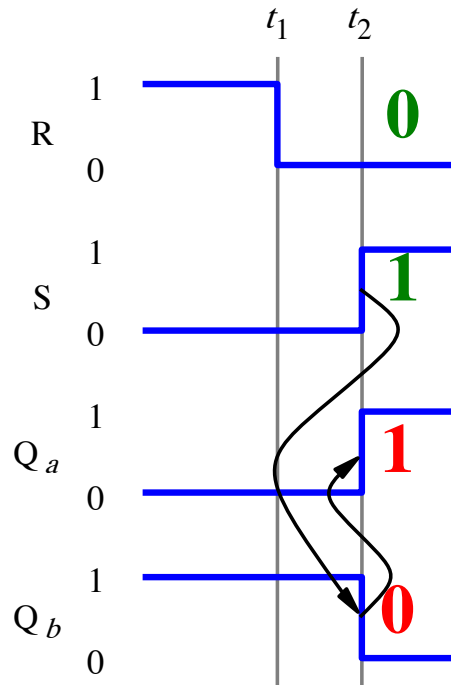
Timing Diagram for the Basic Latch with NOR Gates



(a) Circuit

S	R	Q _a	Q _b
0	0	0/1	1/0 (no change)
0	1	0	1
1	0	1	0
1	1	0	0

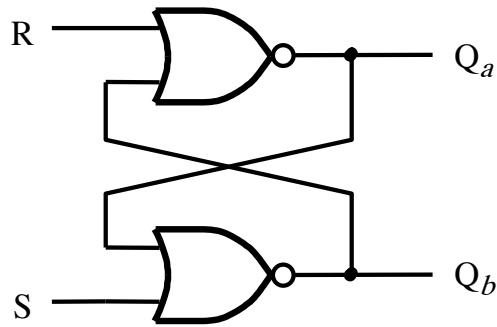
(b) Characteristic table



(c) Timing diagram

... but they leave the outputs the same.

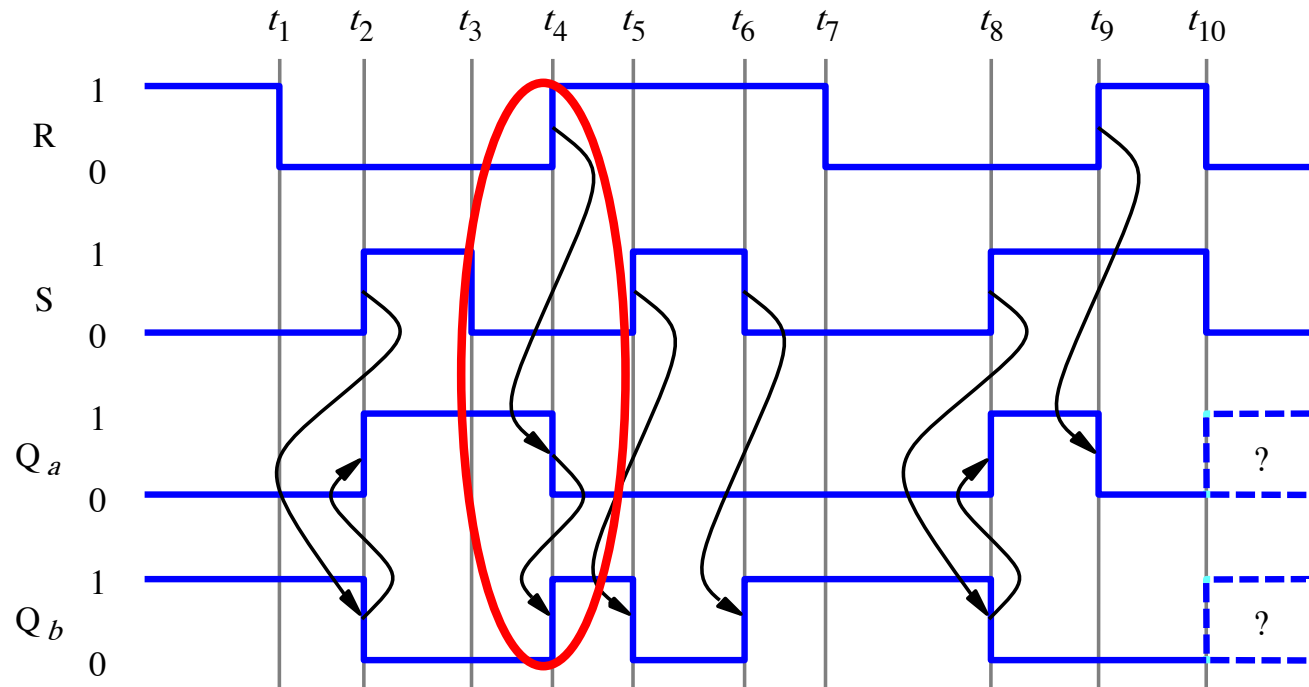
Timing Diagram for the Basic Latch with NOR Gates



(a) Circuit

S	R	Q_a	Q_b
0	0	0/1	1/0 (no change)
0	1	0	1
1	0	1	0
1	1	0	0

(b) Characteristic table

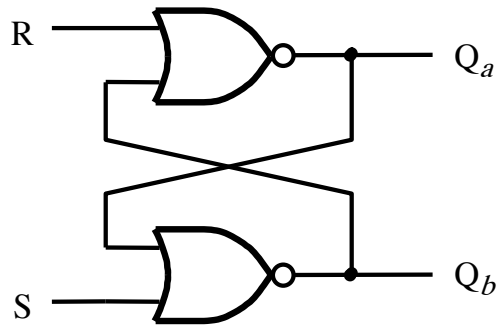


→ Time

(c) Timing diagram

[Figure 5.4 from the textbook]

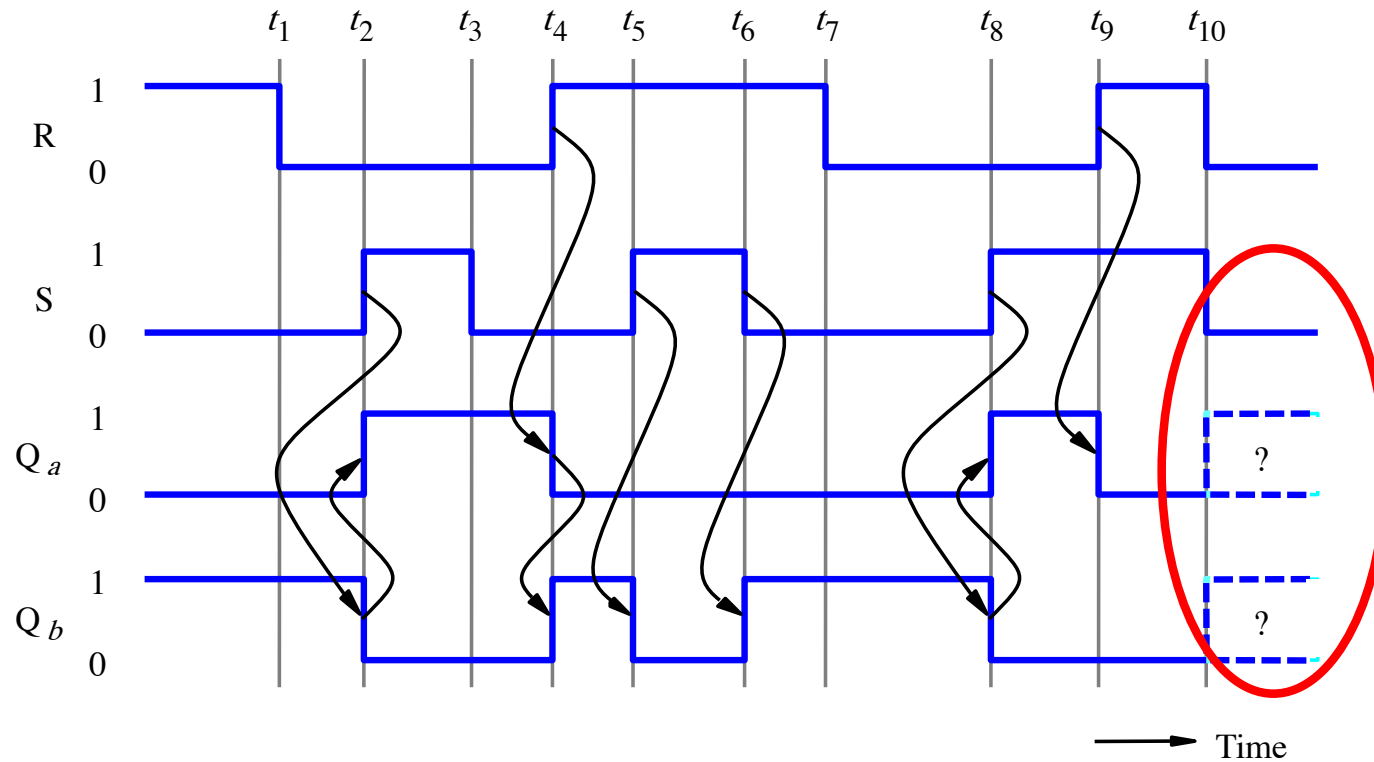
Timing Diagram for the Basic Latch with NOR Gates



(a) Circuit

S	R	Q_a	Q_b
0	0	0/1	1/0 (no change)
0	1	0	1
1	0	1	0
1	1	0	0

(b) Characteristic table

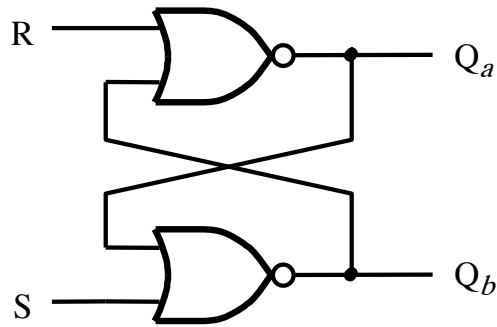


(c) Timing diagram

→ Time

[Figure 5.4 from the textbook]

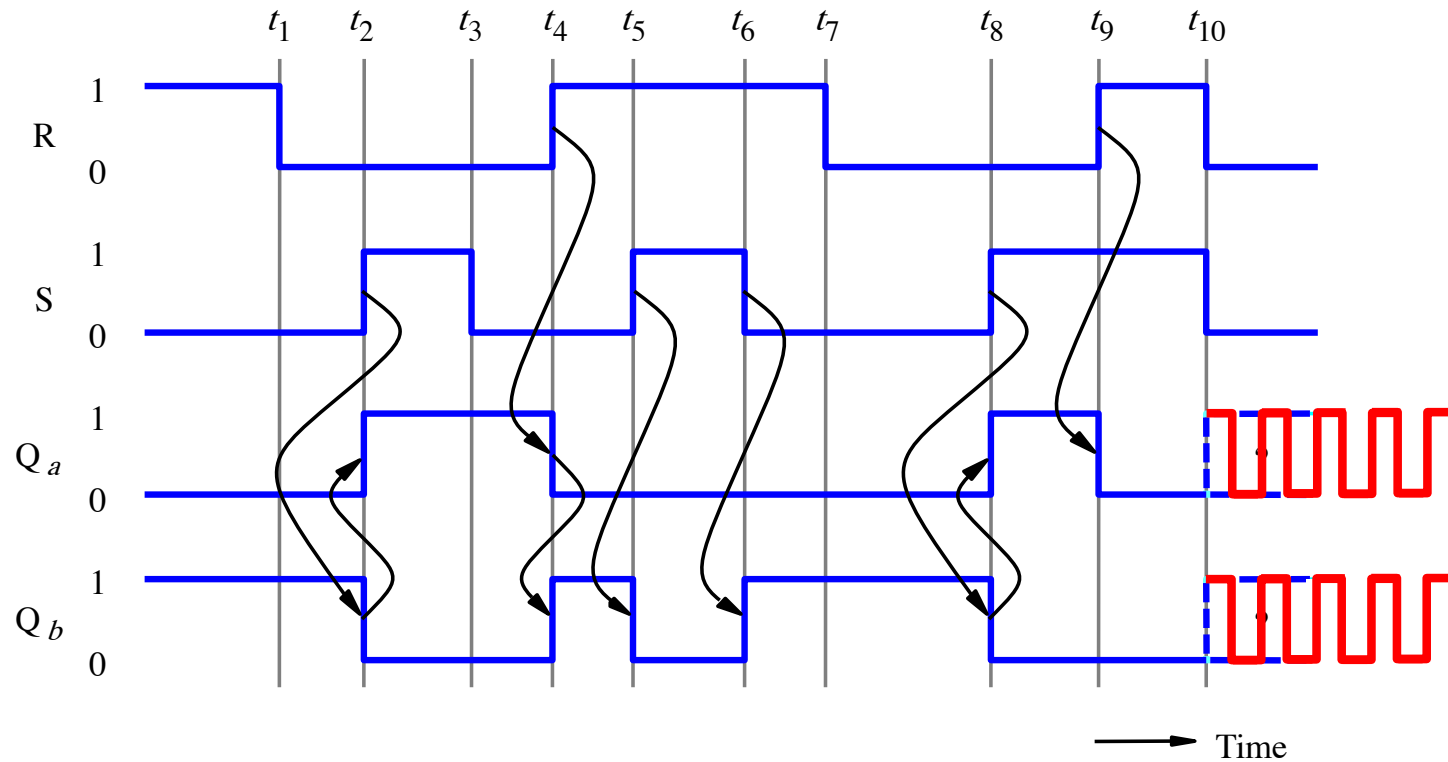
Timing Diagram for the Basic Latch with NOR Gates



(a) Circuit

S	R	Q_a	Q_b
0	0	0/1	1/0 (no change)
0	1	0	1
1	0	1	0
1	1	0	0

(b) Characteristic table

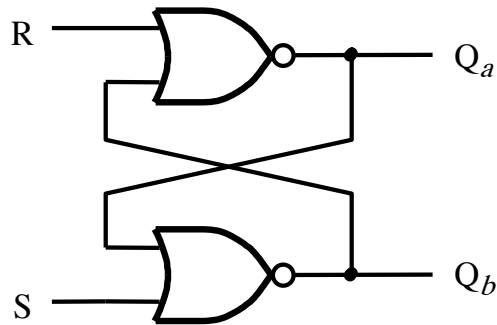


(c) Timing diagram

→ Time

[Figure 5.4 from the textbook]

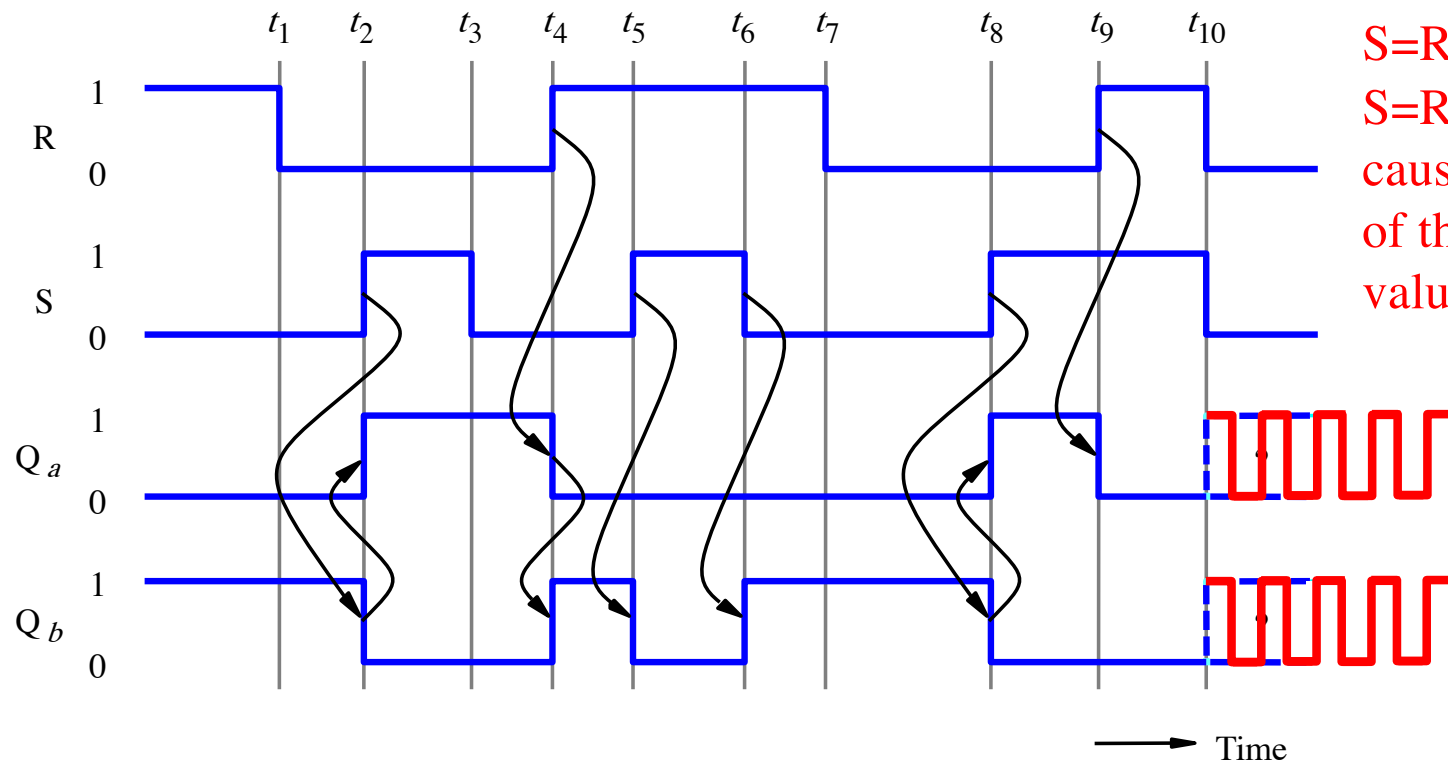
Timing Diagram for the Basic Latch with NOR Gates



(a) Circuit

S	R	Q_a	Q_b
0	0	0/1	1/0 (no change)
0	1	0	1
1	0	1	0
1	1	0	0

(b) Characteristic table



A transition from $S=R=1$ to $S=R=0$ causes oscillations of the two output values Q_a and Q_b .

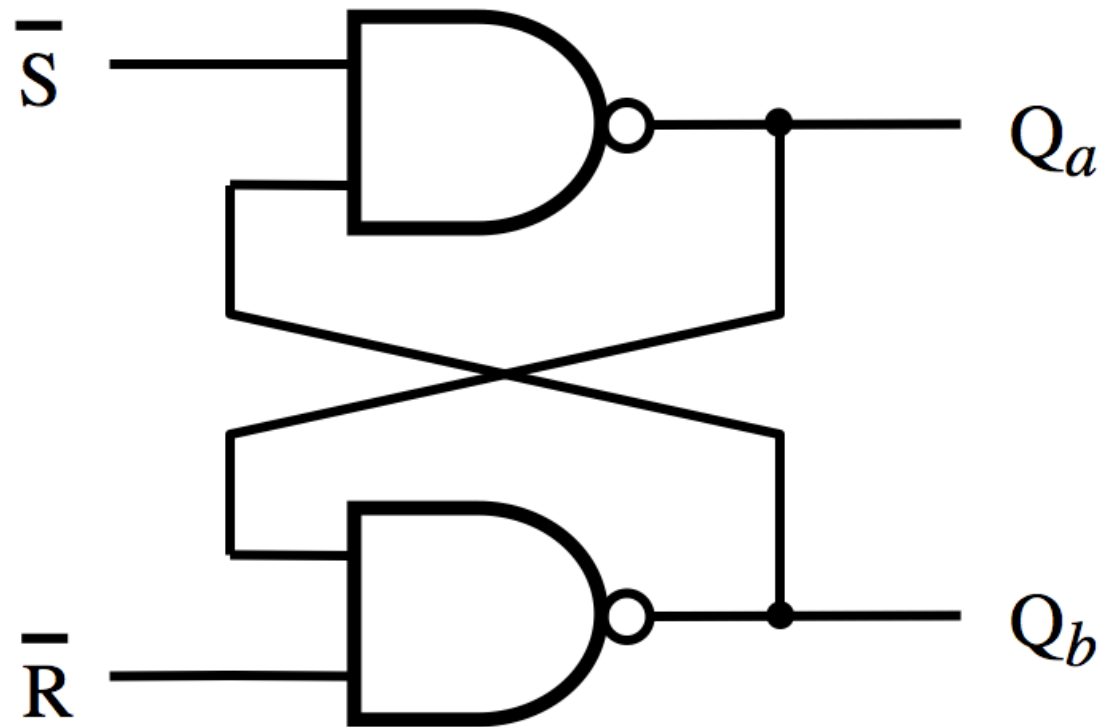
(c) Timing diagram

→ Time

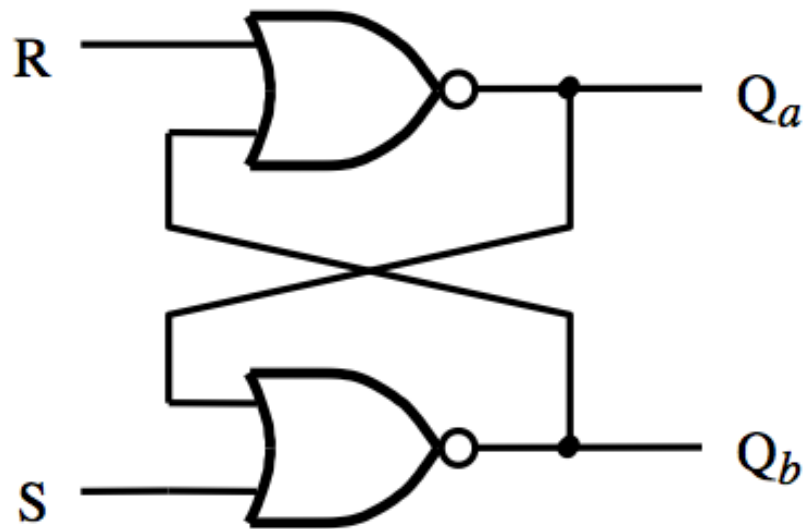
[Figure 5.4 from the textbook]

Basic Latch with NAND Gates

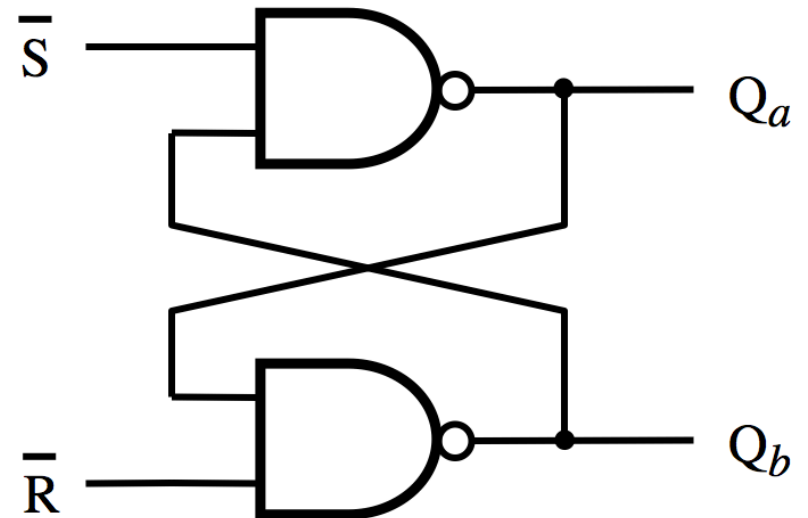
Circuit for the Basic Latch with NAND Gates



Basic Latch (with NOR Gates)



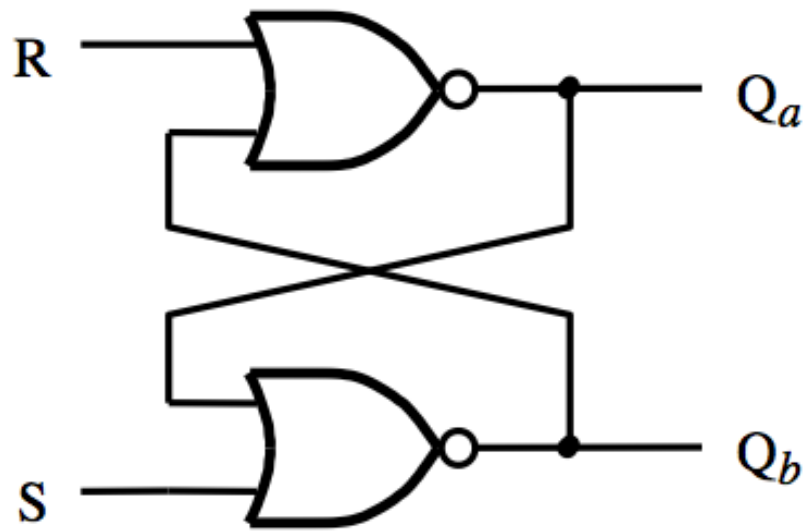
Basic Latch (with NAND Gates)



Notice that in the NAND case the two inputs are swapped and negated.

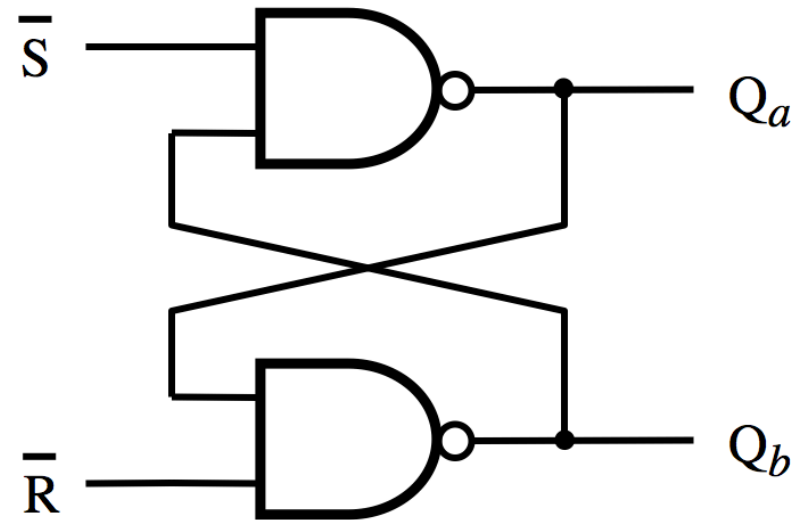
The labels of the outputs are the same in both cases.

Basic Latch (with NOR Gates)



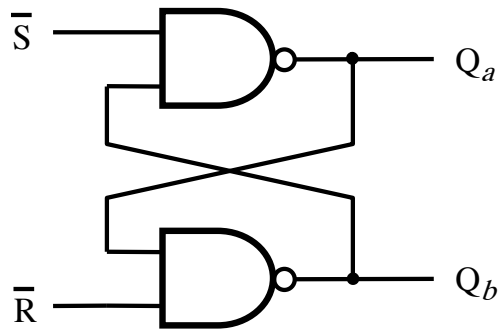
SR Latch

Basic Latch (with NAND Gates)



$\bar{S}\bar{R}$ Latch

Circuit and Characteristic Table



(a) Circuit

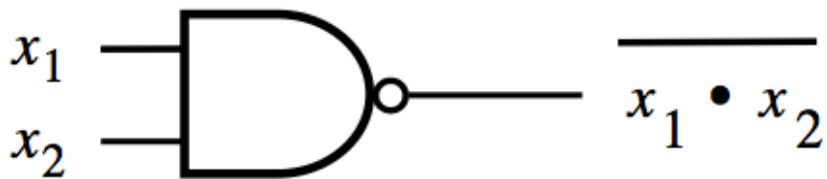
\bar{S}	\bar{R}	Q_a	Q_b
0	0	1	1
0	1	1	0
1	0	0	1
1	1	0/1	1/0 (no change)

(b) Characteristic table (version 1)

S	R	Q_a	Q_b
0	0	0/1	1/0 (no change)
0	1	0	1
1	0	1	0
1	1	1	1

(c) Characteristic table (version 2)

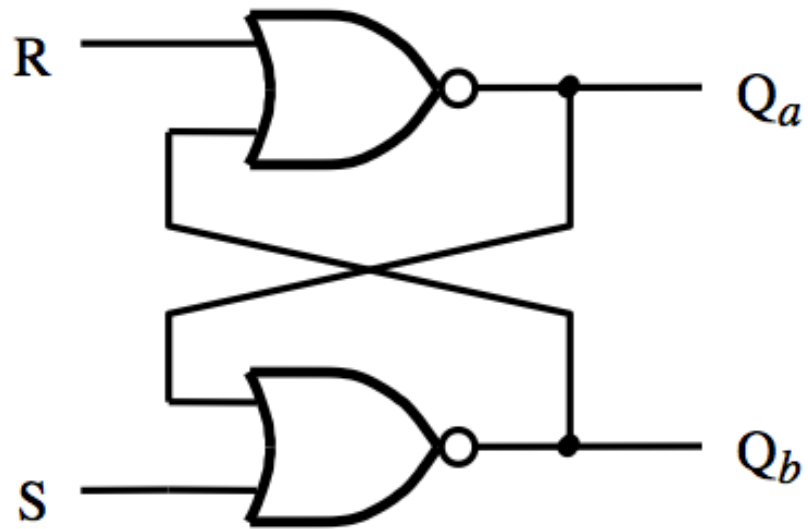
NAND Gate



NAND Gate Truth table

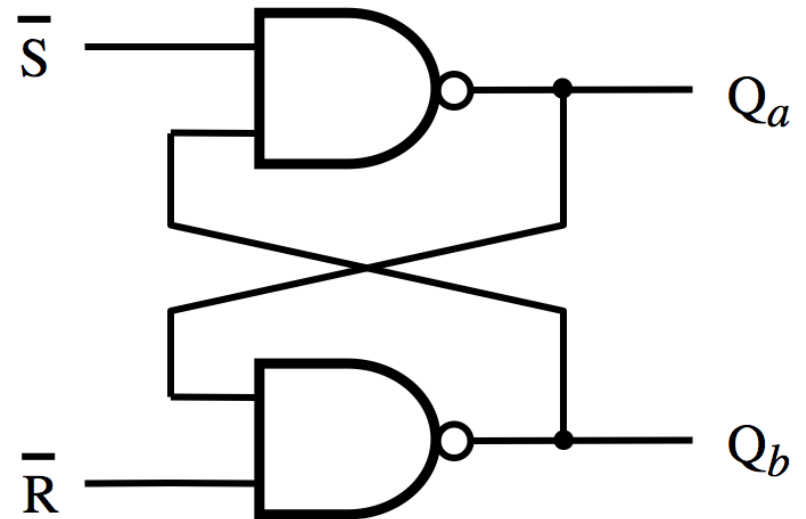
x_1	x_2	f
0	0	1
0	1	1
1	0	1
1	1	0

Basic Latch (with NOR Gates)



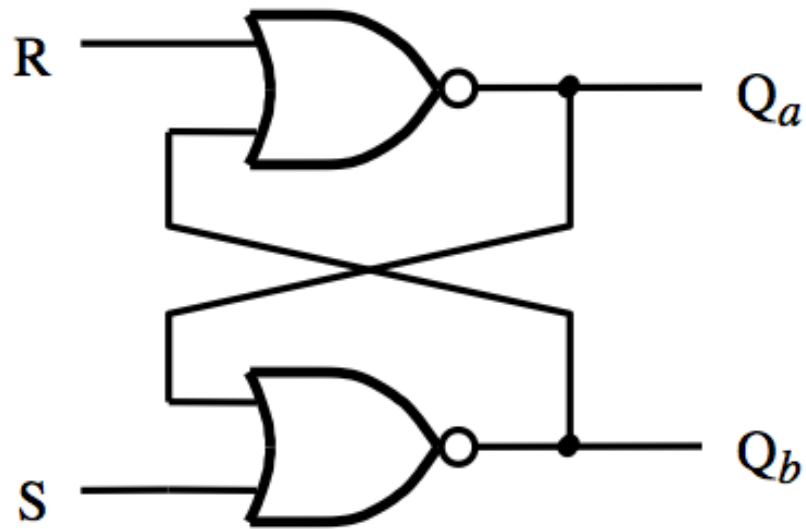
S	R	Q_a	Q_b
0	0	0/1	1/0 (no change)
0	1	0	1
1	0	1	0
1	1	0	0

Basic Latch (with NAND Gates)



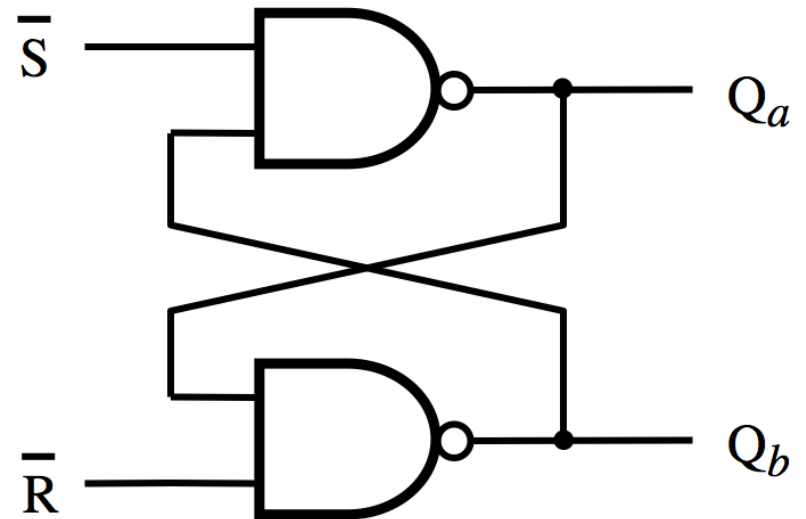
S	R	Q_a	Q_b
0	0	0/1	1/0 (no change)
0	1	0	1
1	0	1	0
1	1	1	1

Basic Latch (with NOR Gates)



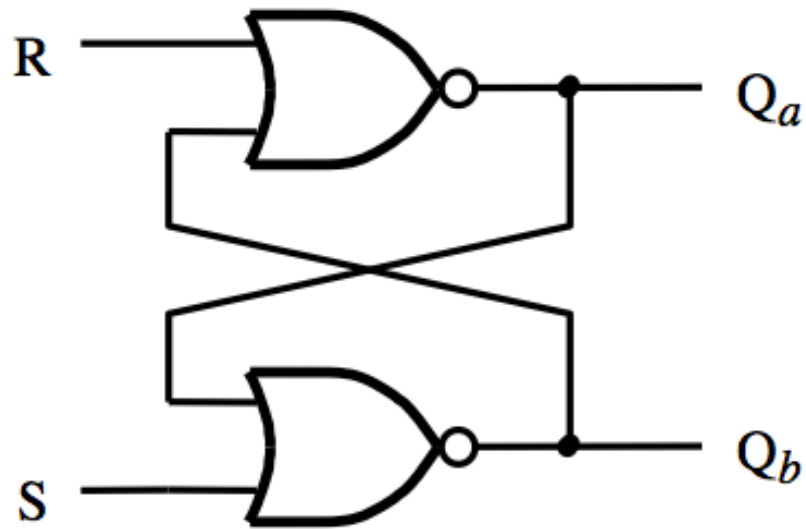
S	R	Q_a	Q_b	
0	0	0/1	1/0	(no change) Latch
0	1	0	1	Reset
1	0	1	0	Set
1	1	0	0	Undesirable

Basic Latch (with NAND Gates)



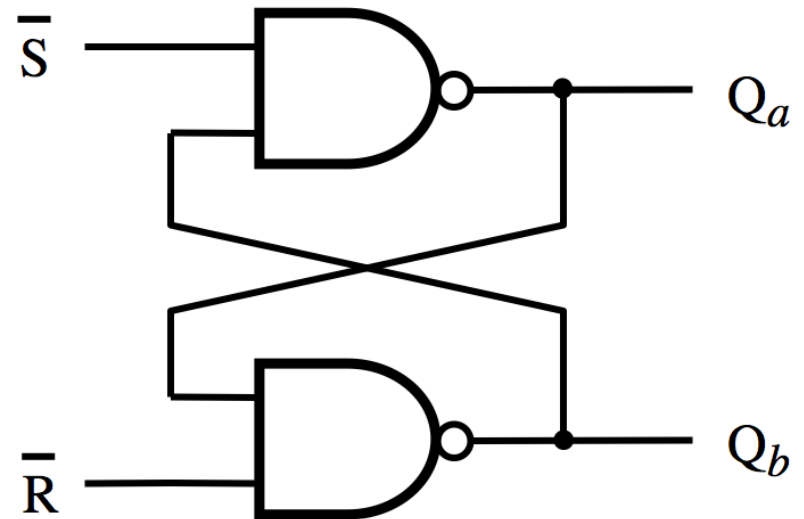
S	R	Q_a	Q_b	
0	0	0/1	1/0	(no change) Latch
0	1	0	1	Reset
1	0	1	0	Set
1	1	1	1	Undesirable

Basic Latch (with NOR Gates)



S	R	Q_a	Q_b	
0	0	0/1	1/0	(no change) Latch
0	1	0	1	Reset
1	0	1	0	Set
1	1	0	0	Undesirable

Basic Latch (with NAND Gates)



S	R	Q_a	Q_b	
0	0	0/1	1/0	(no change) Latch
0	1	0	1	Reset
1	0	1	0	Set
1	1	1	1	Undesirable

The two characteristic tables are the same
(except for the last row, which is the undesirable configuration).

Oscillations and Undesirable States

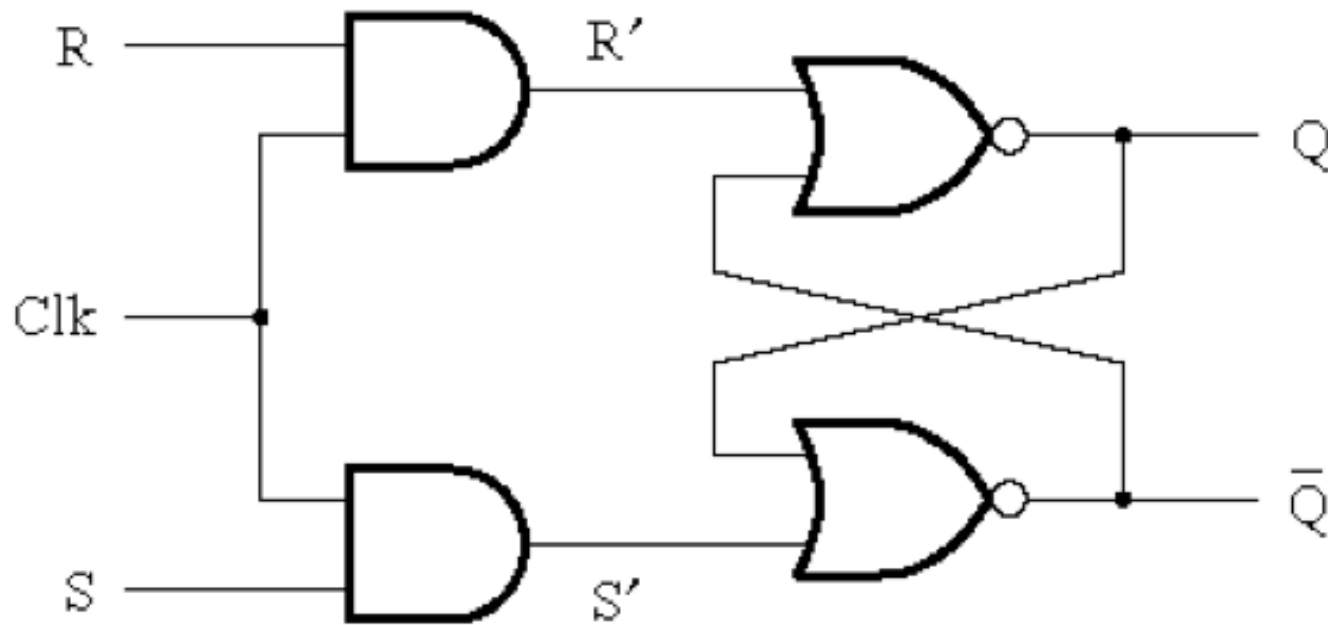
- **The basic latch with NAND gates also suffers from oscillation problems, similar to the basic latch implemented with NOR gates.**
- **Try to do this analysis on your own.**

Gated SR Latch

Motivation

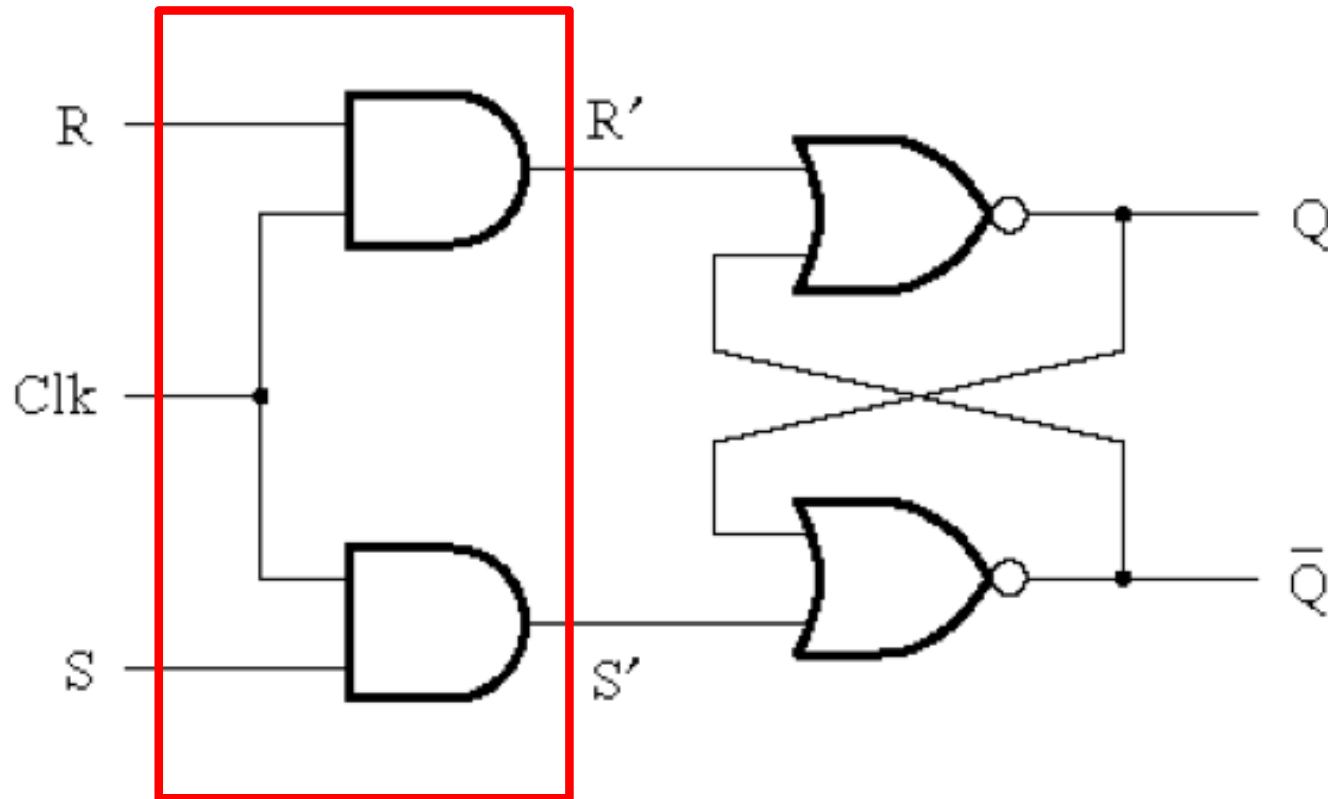
- **The basic latch changes its state when the input signals change.**
- **It is hard to control when these input signals will change and thus it is hard to know when the latch may change its state.**
- **We want to have something like an Enable input.**
- **In this case it is called the “Clock” input because it is desirable for the state changes to be synchronized**

Circuit Diagram for the **Gated** SR Latch



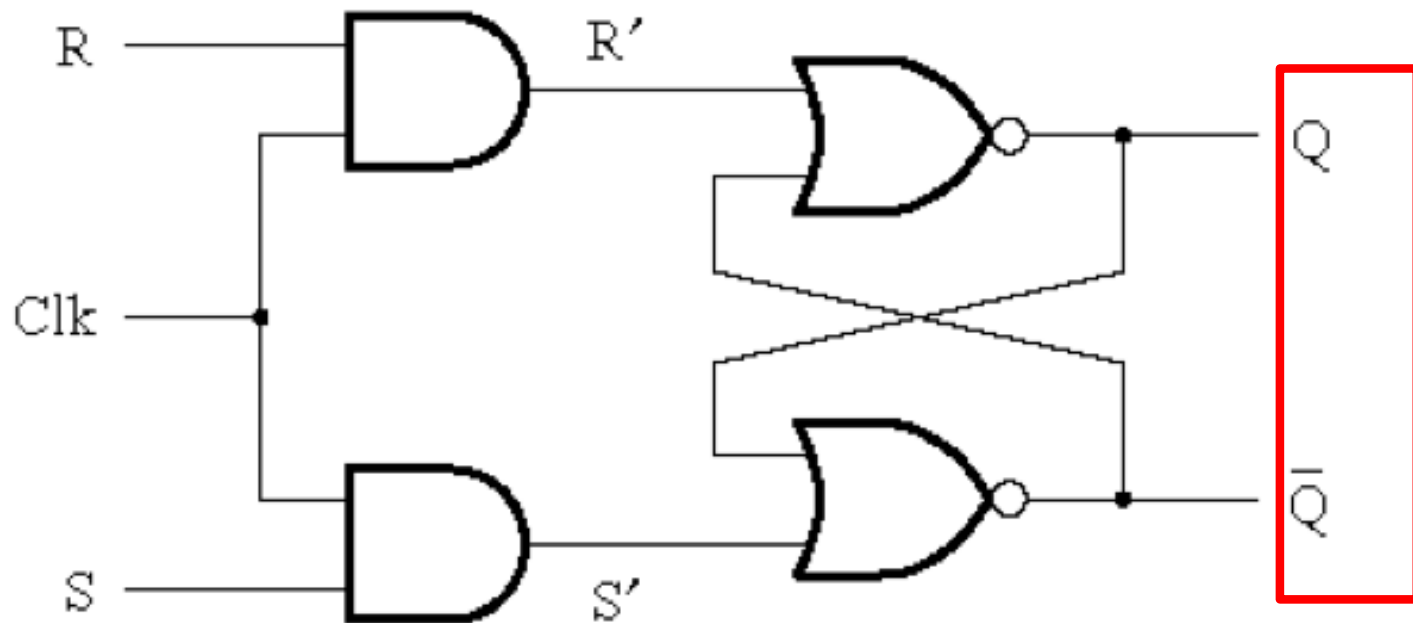
[Figure 5.5a from the textbook]

Circuit Diagram for the Gated SR Latch



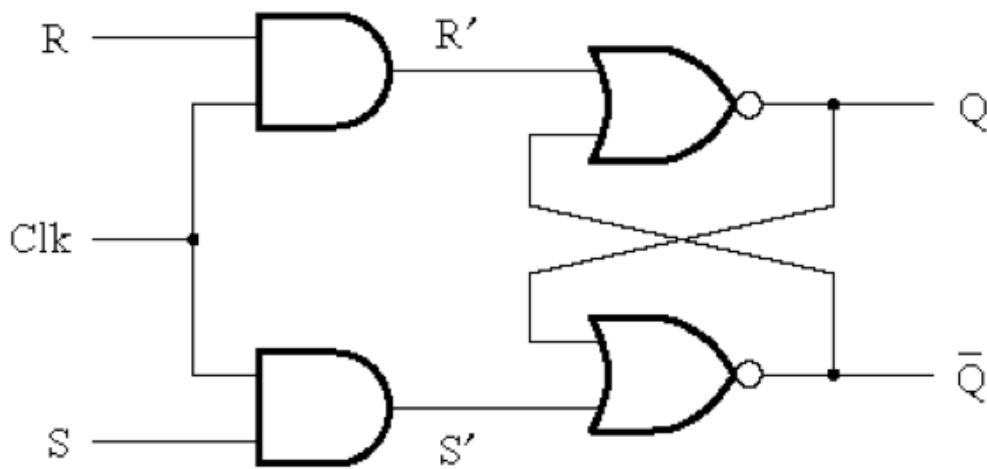
This is the “gate”
of the gated latch

Circuit Diagram for the Gated SR Latch



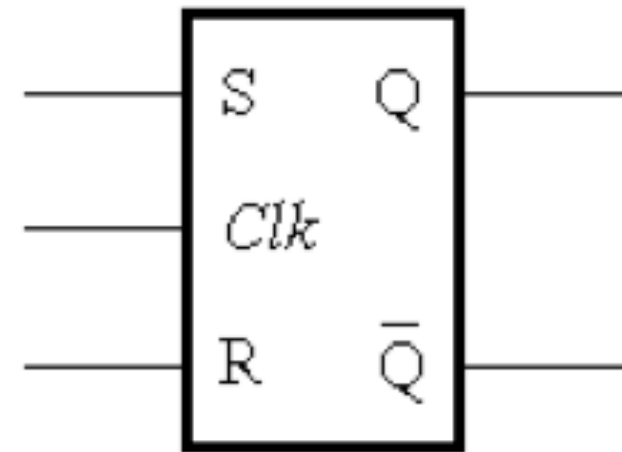
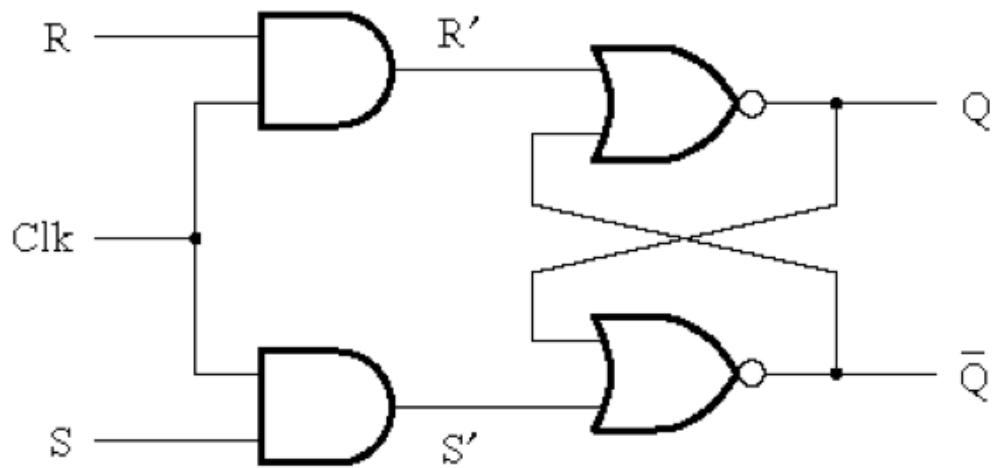
Notice that these are complements of each other

Circuit Diagram and Characteristic Table for the Gated SR Latch

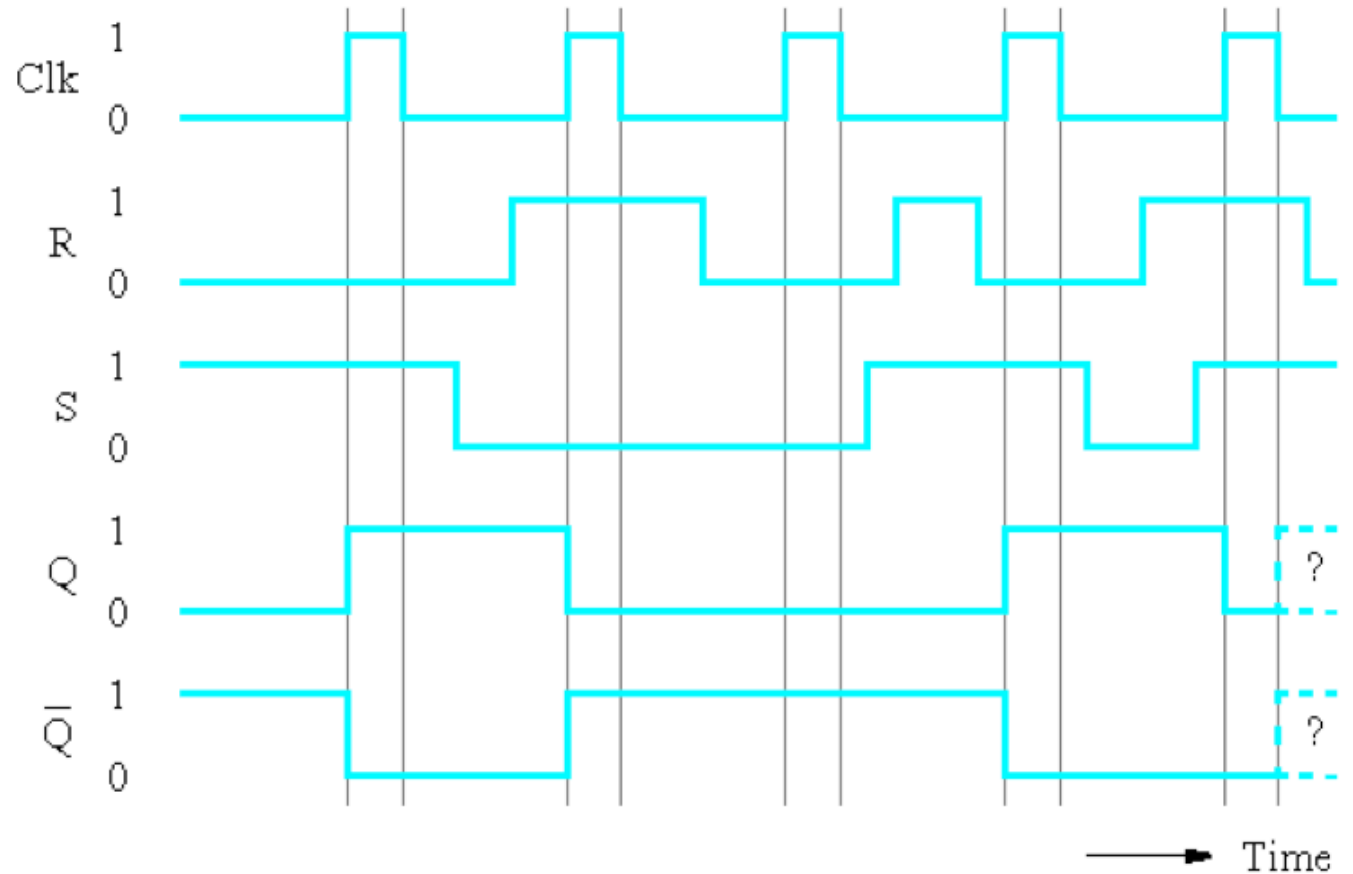
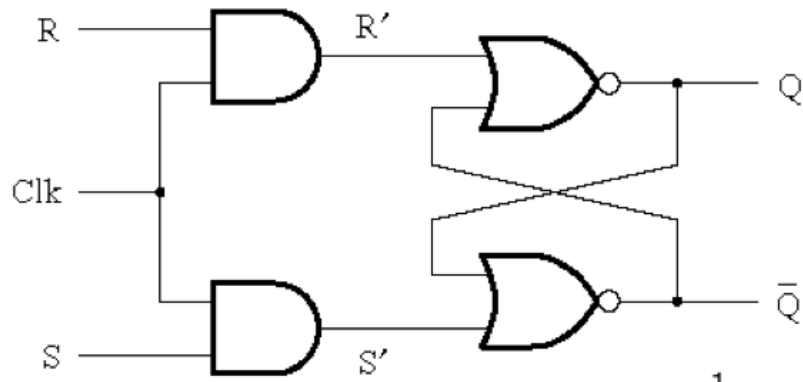


Clk	S	R	Q(t + 1)
0	x	x	Q(t) (no change)
1	0	0	Q(t) (no change)
1	0	1	0
1	1	0	1
1	1	1	x

Circuit Diagram and Graphical Symbol for the Gated SR Latch

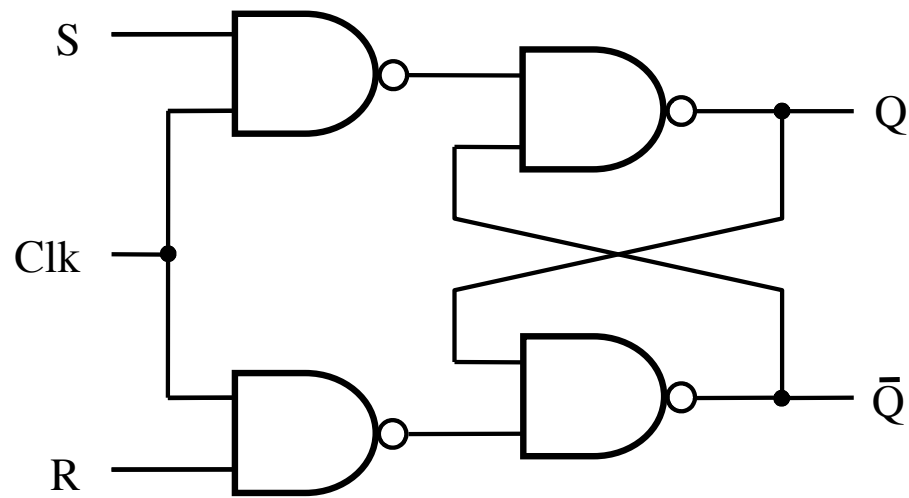


Timing Diagram for the Gated SR Latch

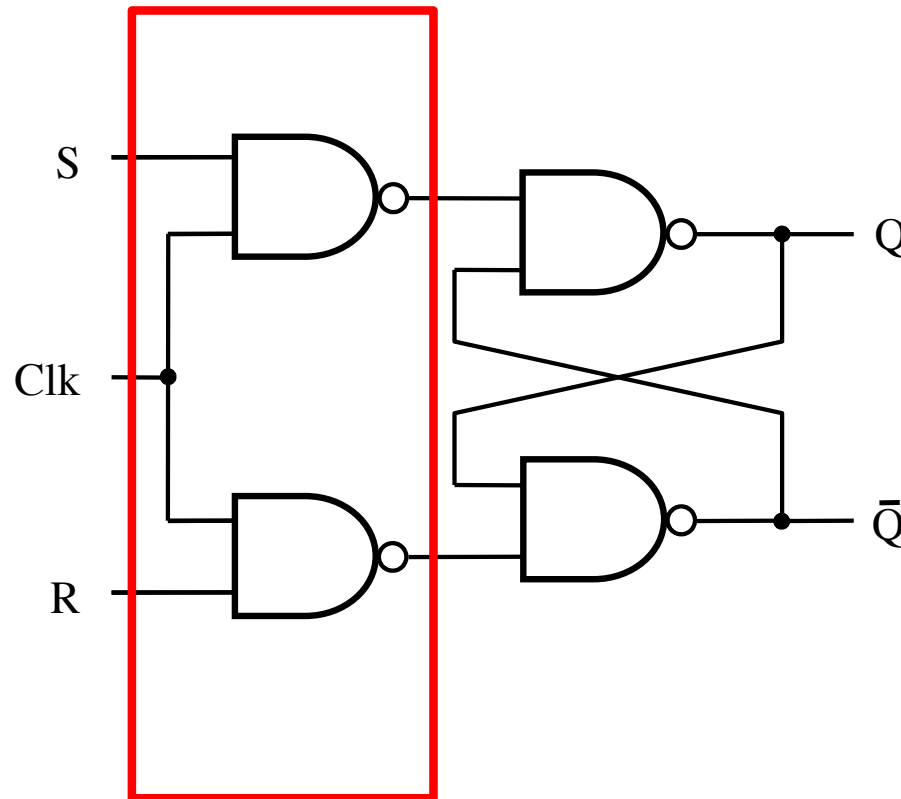


[Figure 5.5c from the textbook]

Gated SR latch with NAND gates

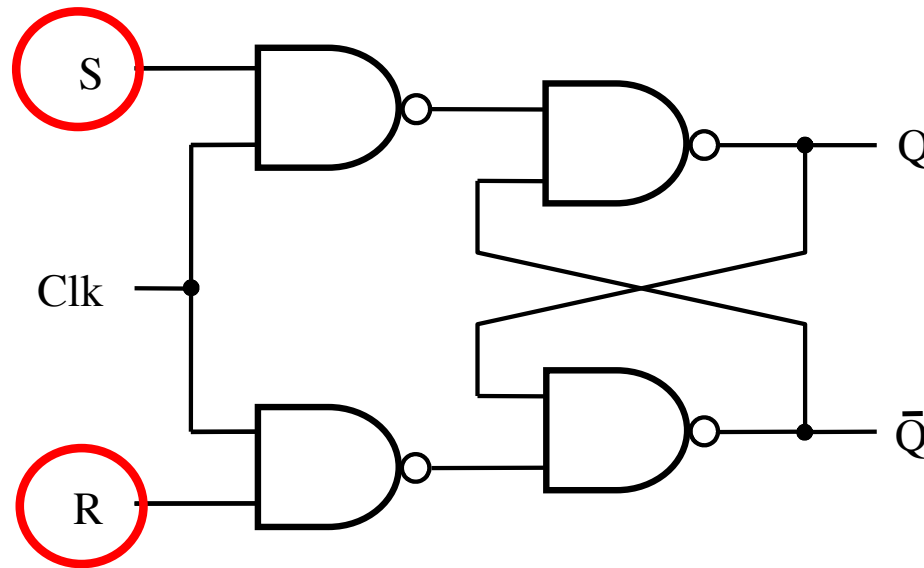


Gated SR latch with NAND gates



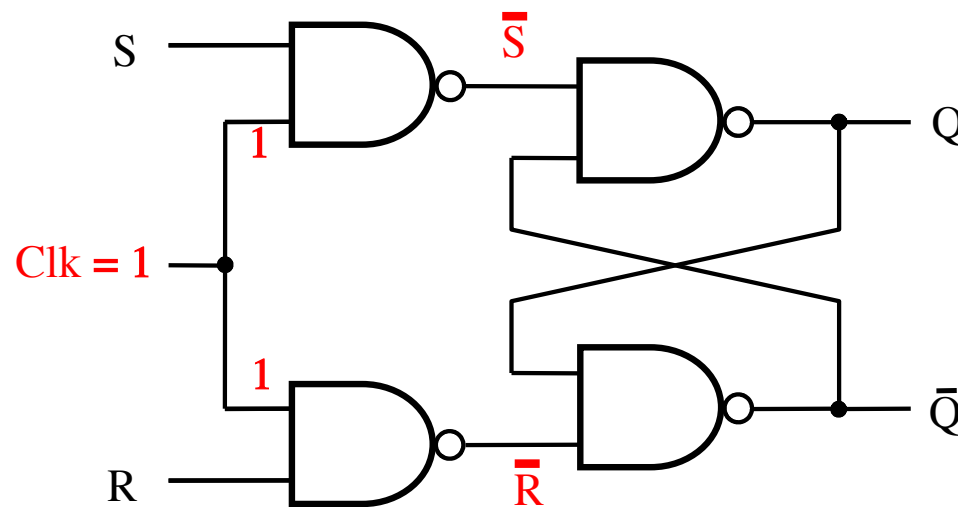
In this case the “gate” is constructed using NAND gates! Not AND gates.

Gated SR latch with NAND gates



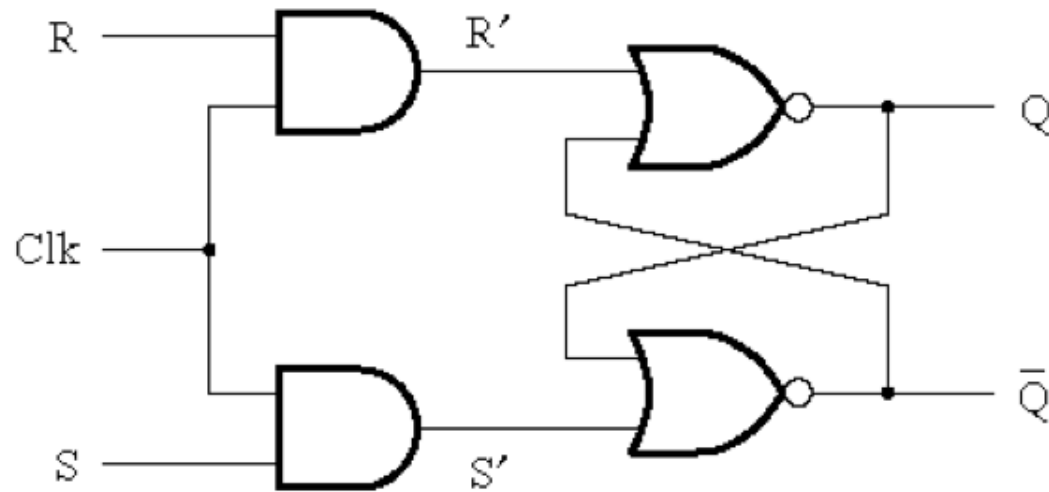
Also, notice that the positions of S and R are now swapped.

Gated SR latch with NAND gates

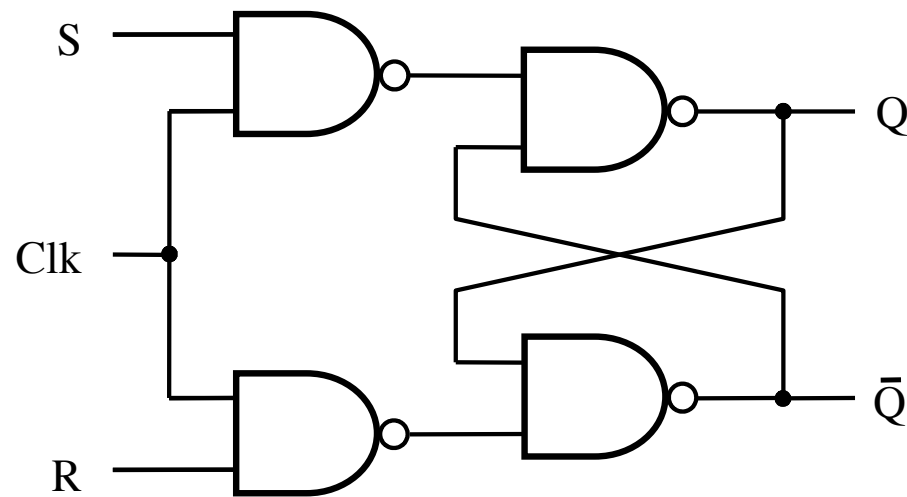


Finally, notice that when $\text{Clk}=1$ this turns into the basic latch with NAND gates, i.e., the $\bar{S}\bar{R}$ Latch.

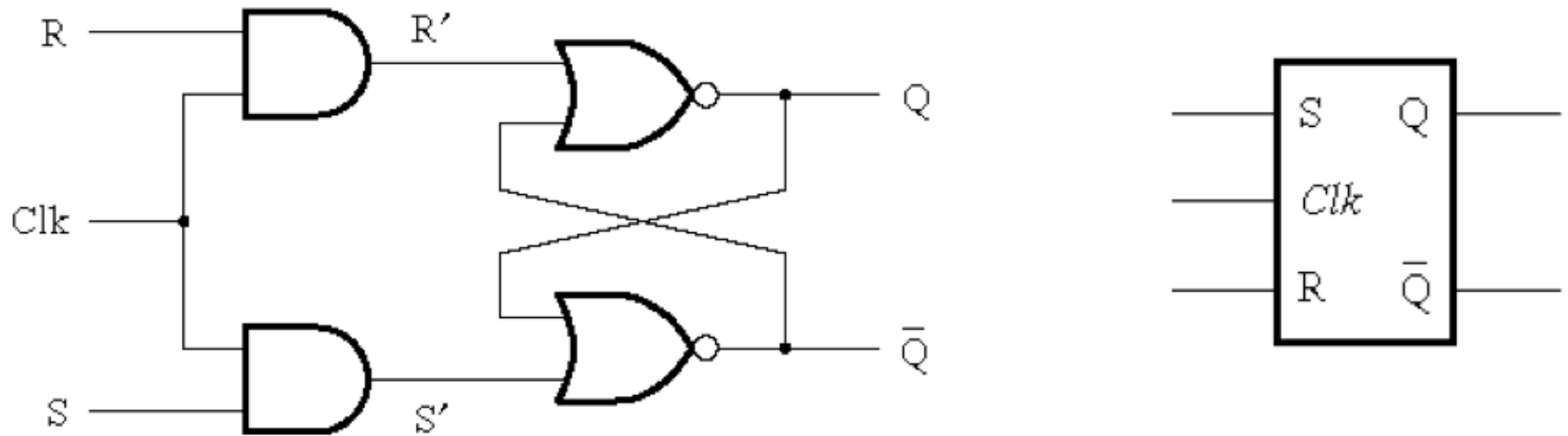
Gated SR latch with NOR gates



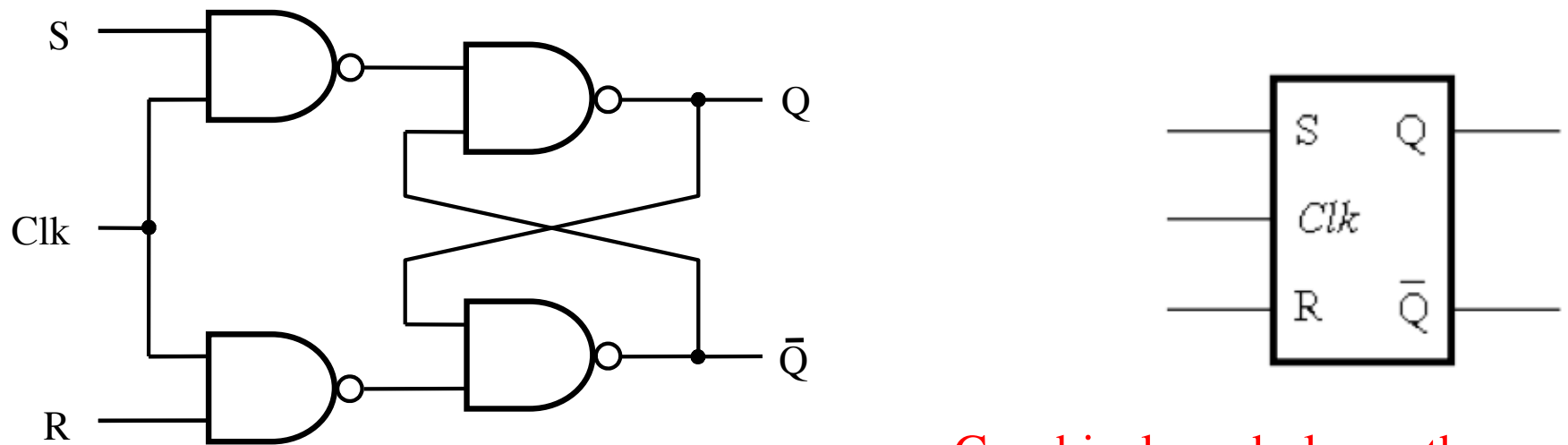
Gated SR latch with NAND gates



Gated SR latch with NOR gates

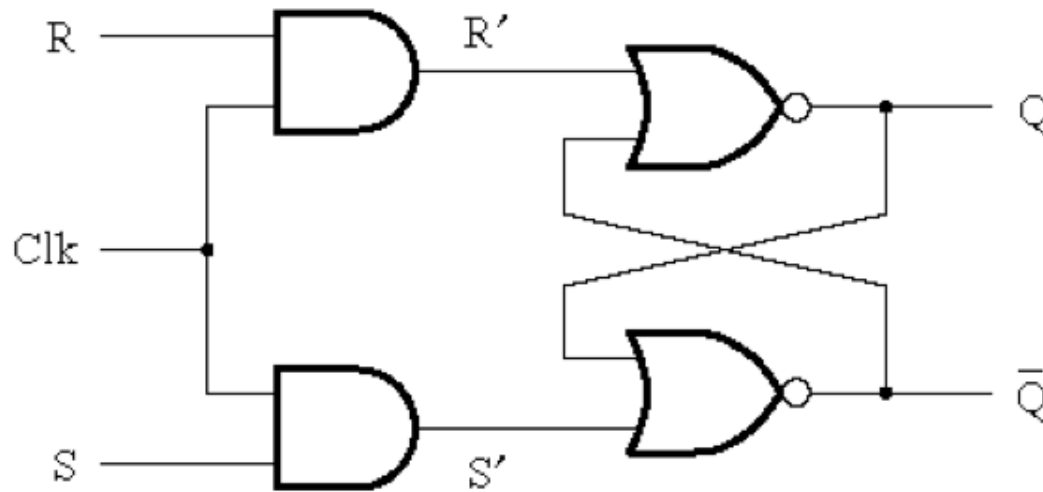


Gated SR latch with NAND gates



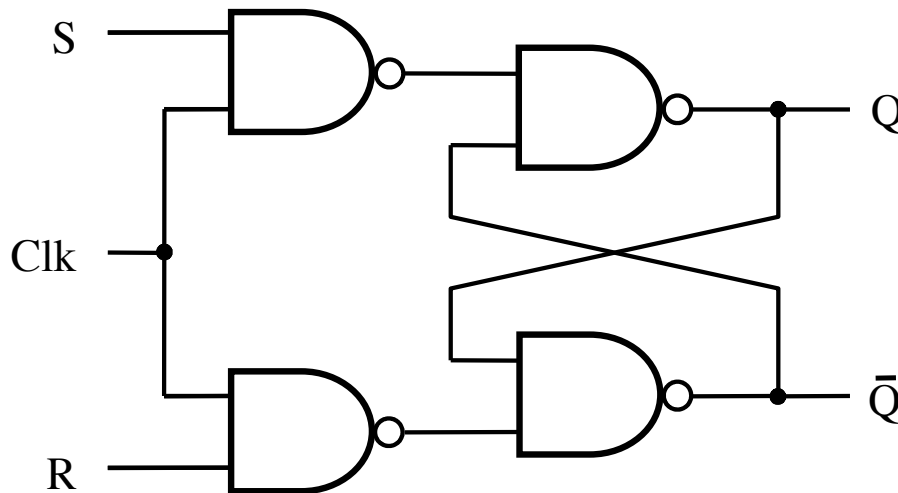
Graphical symbols are the same

Gated SR latch with NOR gates



Clk	S	R	$Q(t+1)$
0	x	x	$Q(t)$ (no change)
1	0	0	$Q(t)$ (no change)
1	0	1	0
1	1	0	1
1	1	1	x (undesirable)

Gated SR latch with NAND gates



Clk	S	R	$Q(t+1)$
0	x	x	$Q(t)$ (no change)
1	0	0	$Q(t)$ (no change)
1	0	1	0
1	1	0	1
1	1	1	x (undesirable)

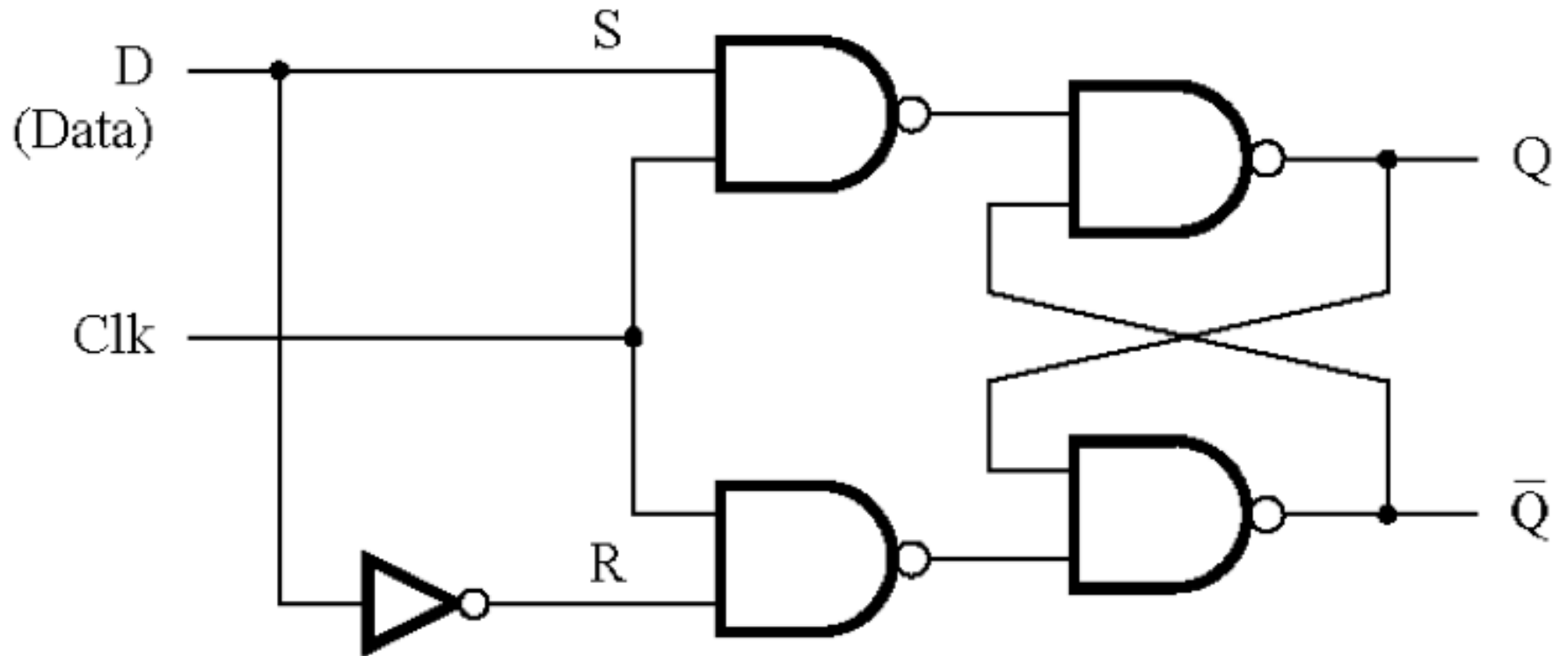
Characteristic tables are the same

Gated D Latch

Motivation

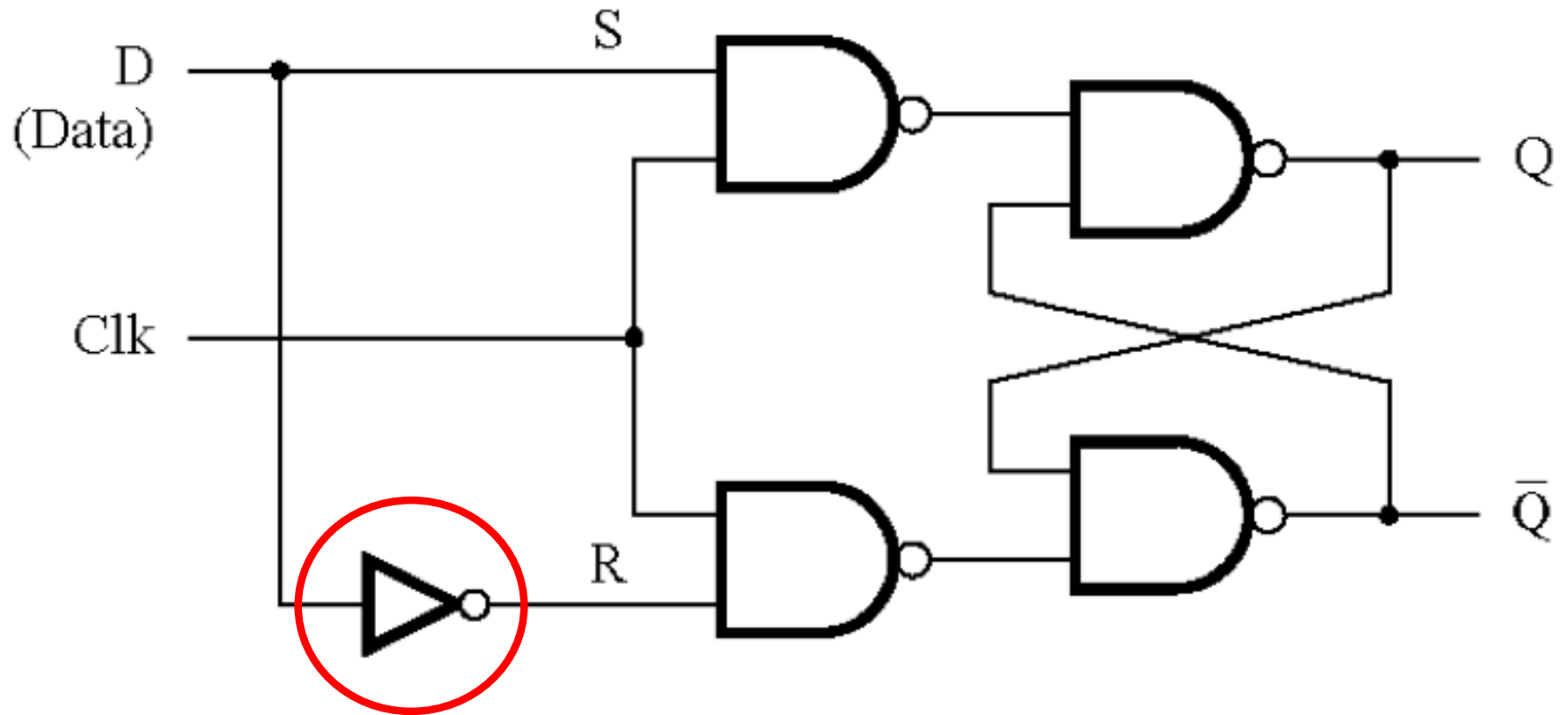
- **Dealing with two inputs (S and R) could be messy. For example, we may have to reset the latch before some operations in order to store a specific value but the reset may not be necessary depending on the current state of the latch.**
- **Why not just have one input and call it D.**
- **The D latch can be constructed using a simple modification of the SR latch.**

Circuit Diagram for the Gated D Latch



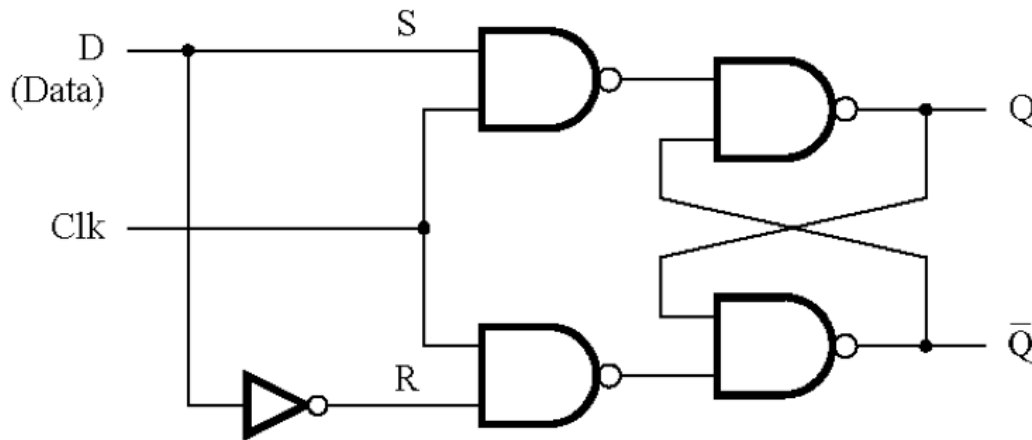
[Figure 5.7a from the textbook]

Circuit Diagram for the Gated D Latch



This is the only
new thing here.

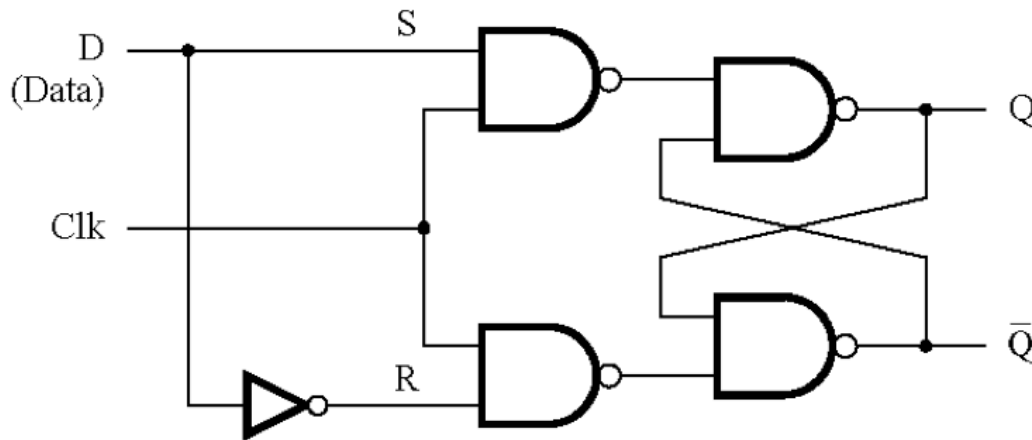
Circuit Diagram and Characteristic Table for the Gated D Latch



Clk	D	$Q(t+1)$
0	x	$Q(t)$
1	0	0
1	1	1

Note that it is now impossible to have $S=R=1$.

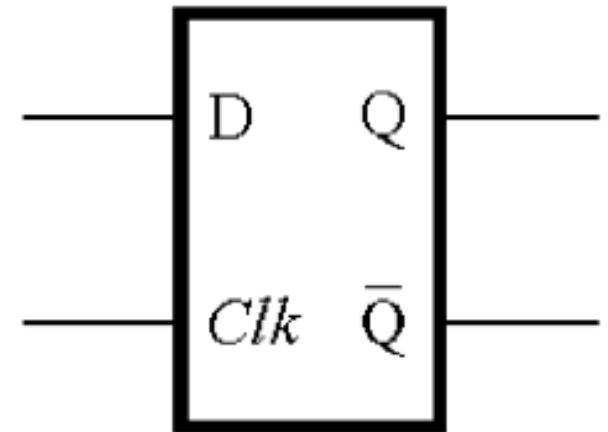
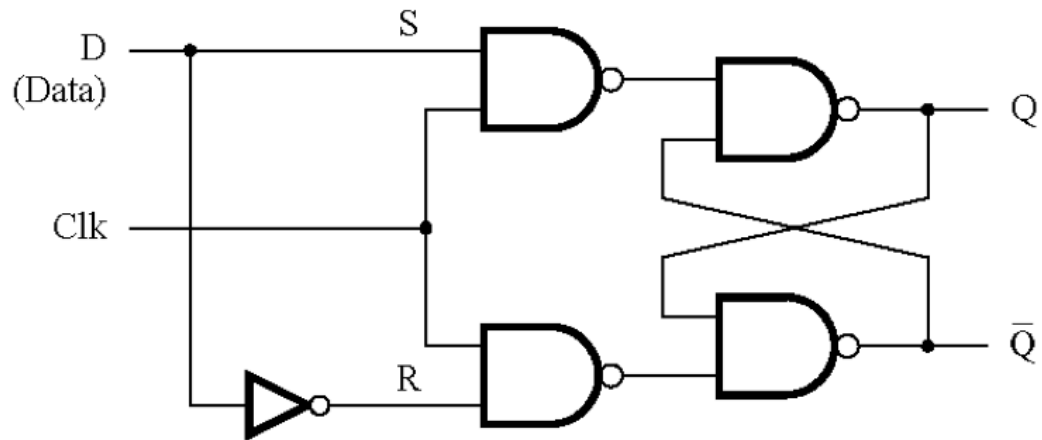
Circuit Diagram and Characteristic Table for the Gated D Latch



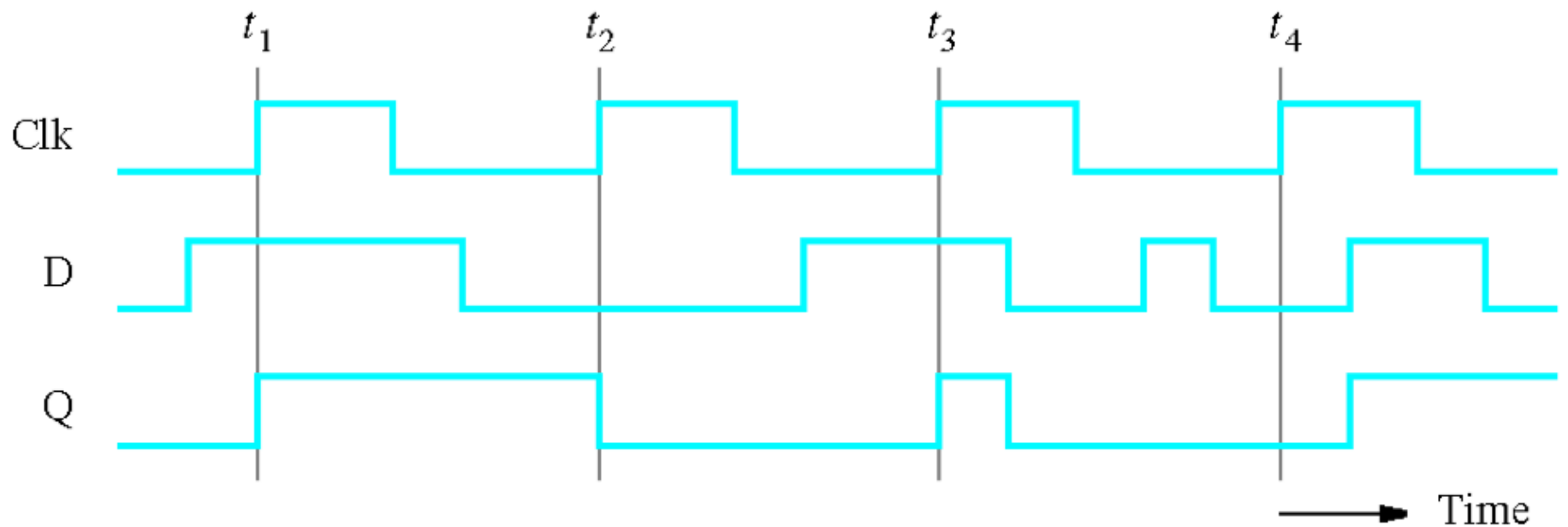
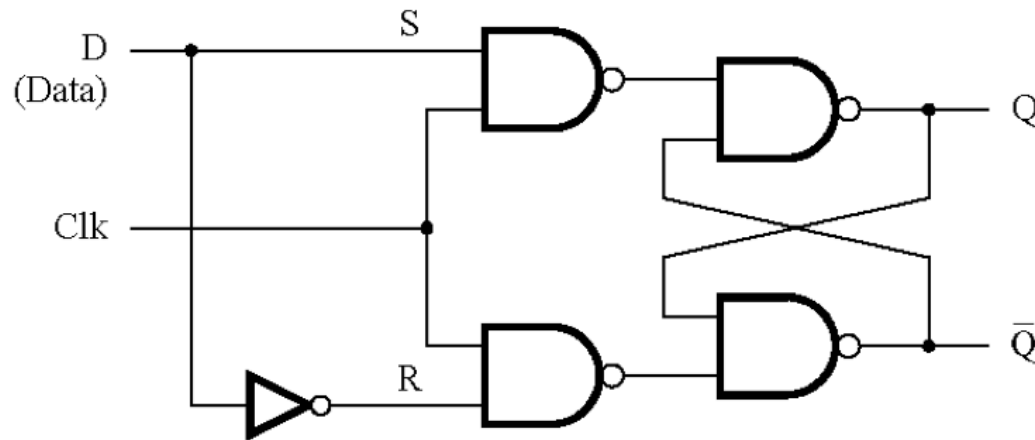
Clk	D	$Q(t+1)$
0	x	$Q(t)$
1	0	0
1	1	1

When Clk=1 the output follows the D input.
When Clk=0 the output cannot be changed.

Circuit Diagram and Graphical Symbol for the Gated D Latch

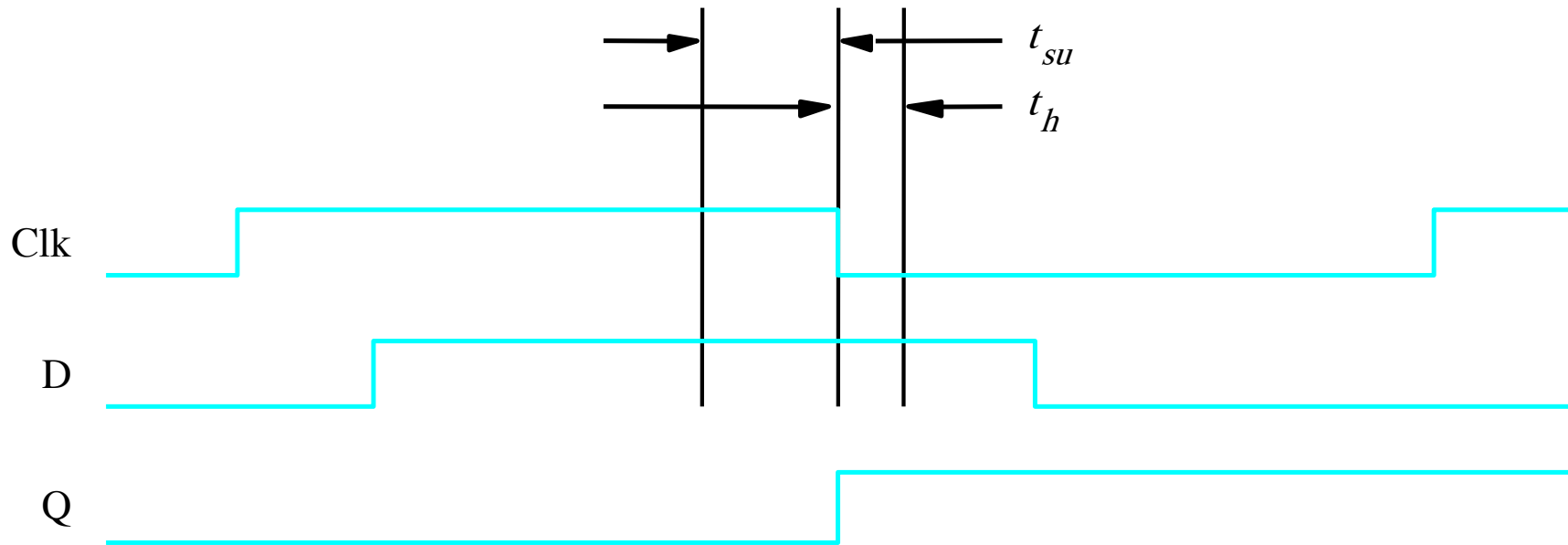


Timing Diagram for the Gated D Latch



[Figure 5.7d from the textbook]

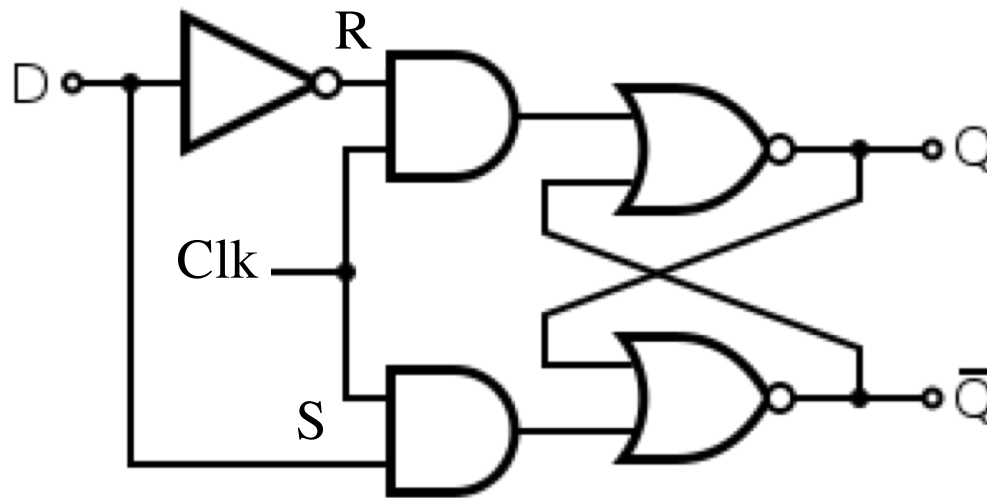
Setup and hold times



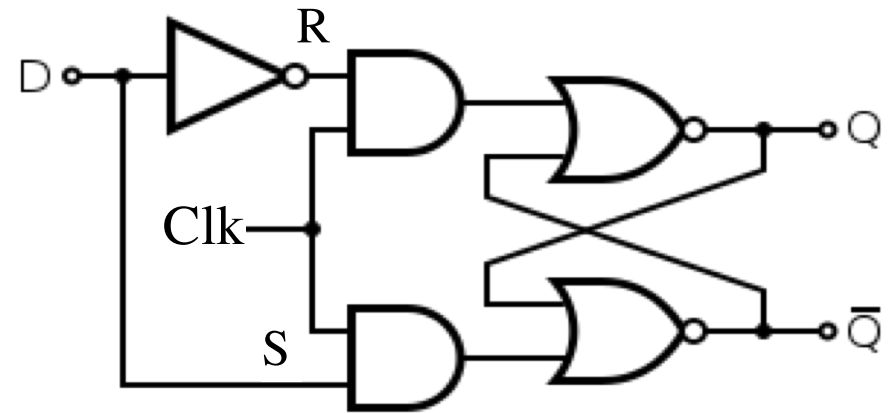
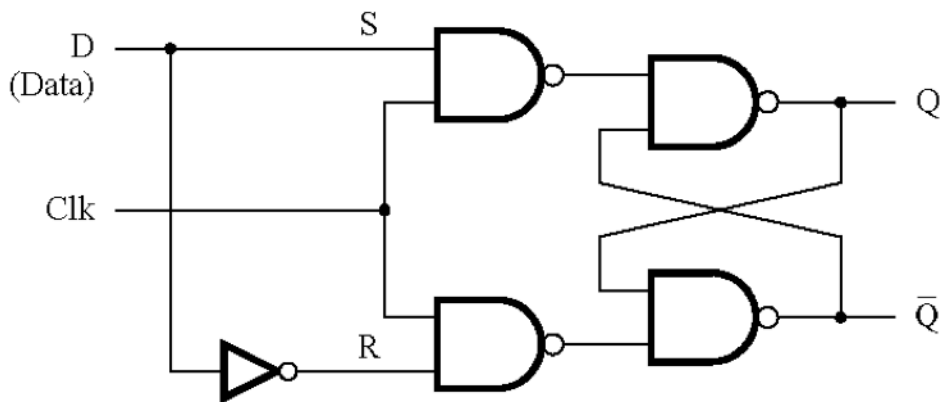
Setup time (t_{su}) – the minimum time that the D signal must be stable prior to the negative edge of the Clock signal.

Hold time (t_h) – the minimum time that the D signal must remain stable after the negative edge of the Clock signal.

Circuit Diagram for the Gated D Latch (with the latch implemented using NORs)



Circuit Diagram for the Gated D Latch (with the latch implemented using NORs)



[Figure 5.7a from the textbook]

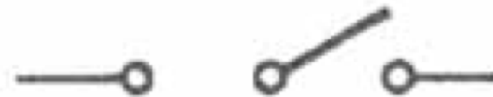
[https://en.wikibooks.org/wiki/Digital_Circuits/Latches]

Some Practical Examples

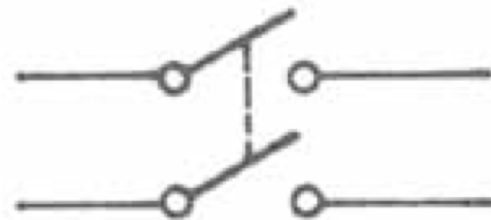
Different Types of Switches



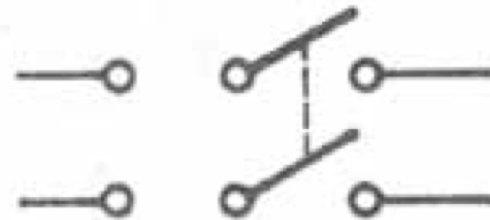
(a) Single-pole—
single-throw
switch



(b) Single-pole—
double-throw
switch



(c) Double-pole—
single-throw
switch



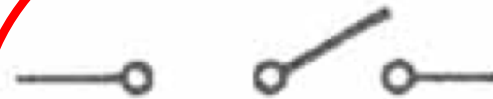
(d) Double-pole—
double-throw
switch

Different Types of Switches

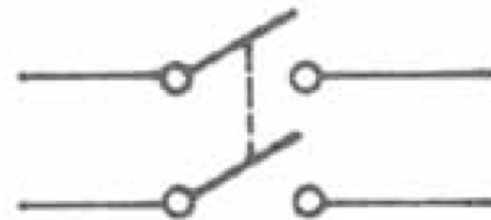
If you are building a circuit with latches you'll need to use this type of switch.



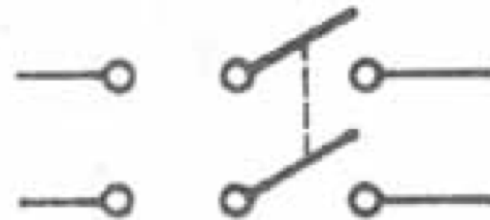
(a) Single-pole—
single-throw
switch



(b) Single-pole—
double-throw
switch

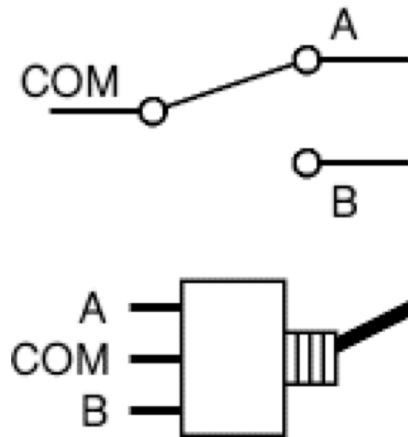


(c) Double-pole—
single-throw
switch



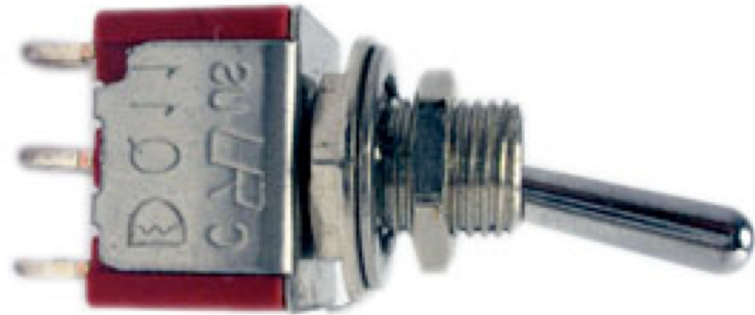
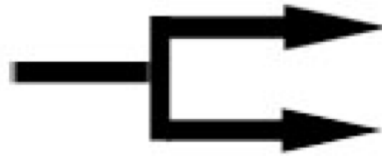
(d) Double-pole—
double-throw
switch

Single Pole, Double Throw = SPDT

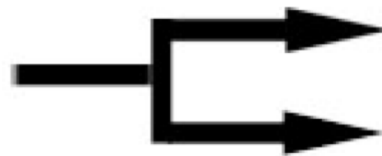


Single Pole, Double Throw = SPDT

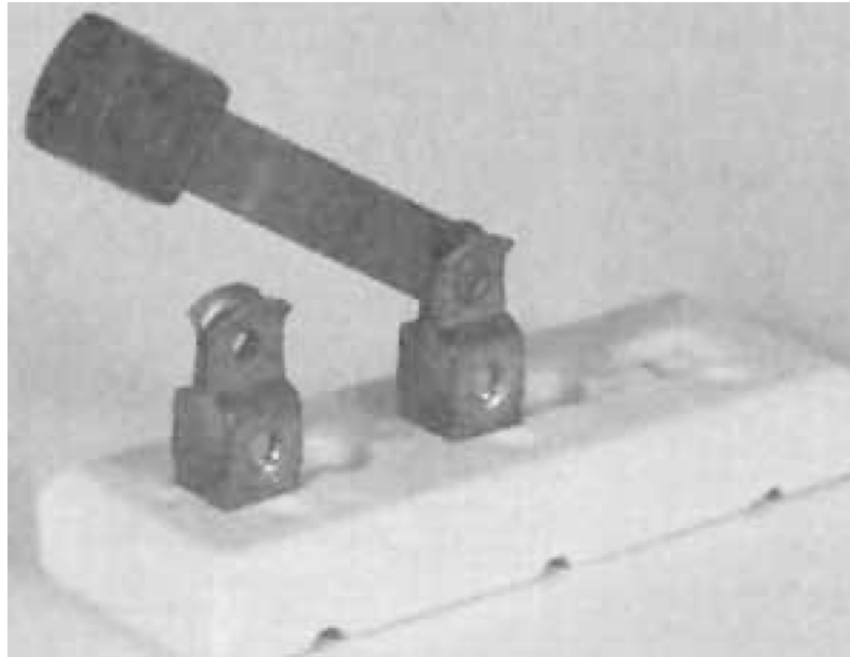
CONNECTED
WHEN TOGGLE
IS DOWN



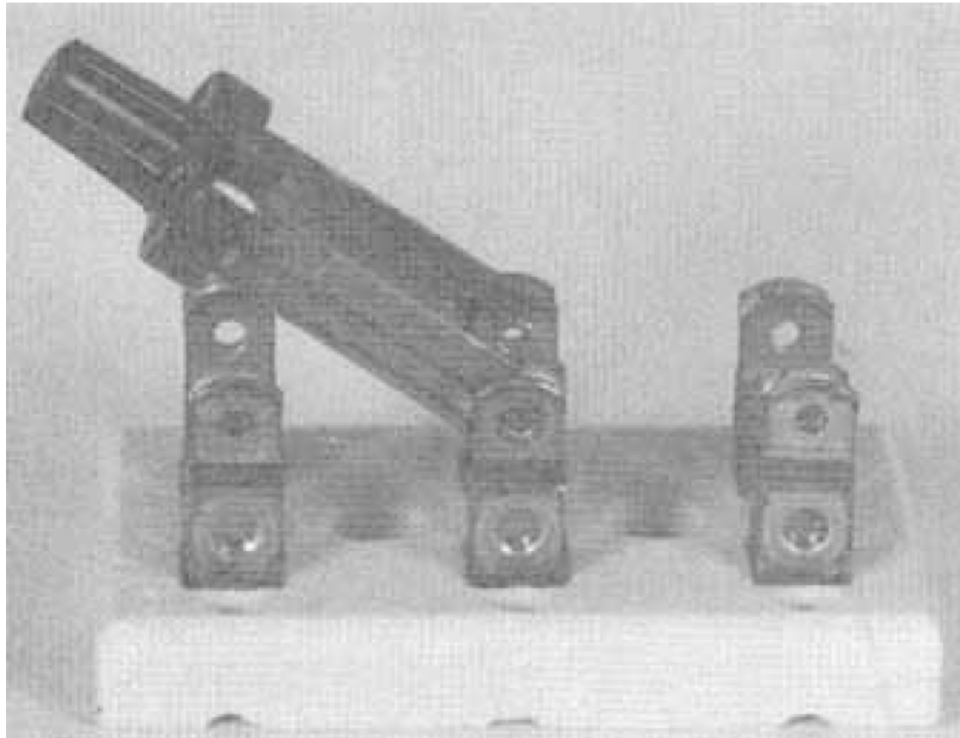
CONNECTED
WHEN TOGGLE
IS UP



Single-pole—single-throw manual switch

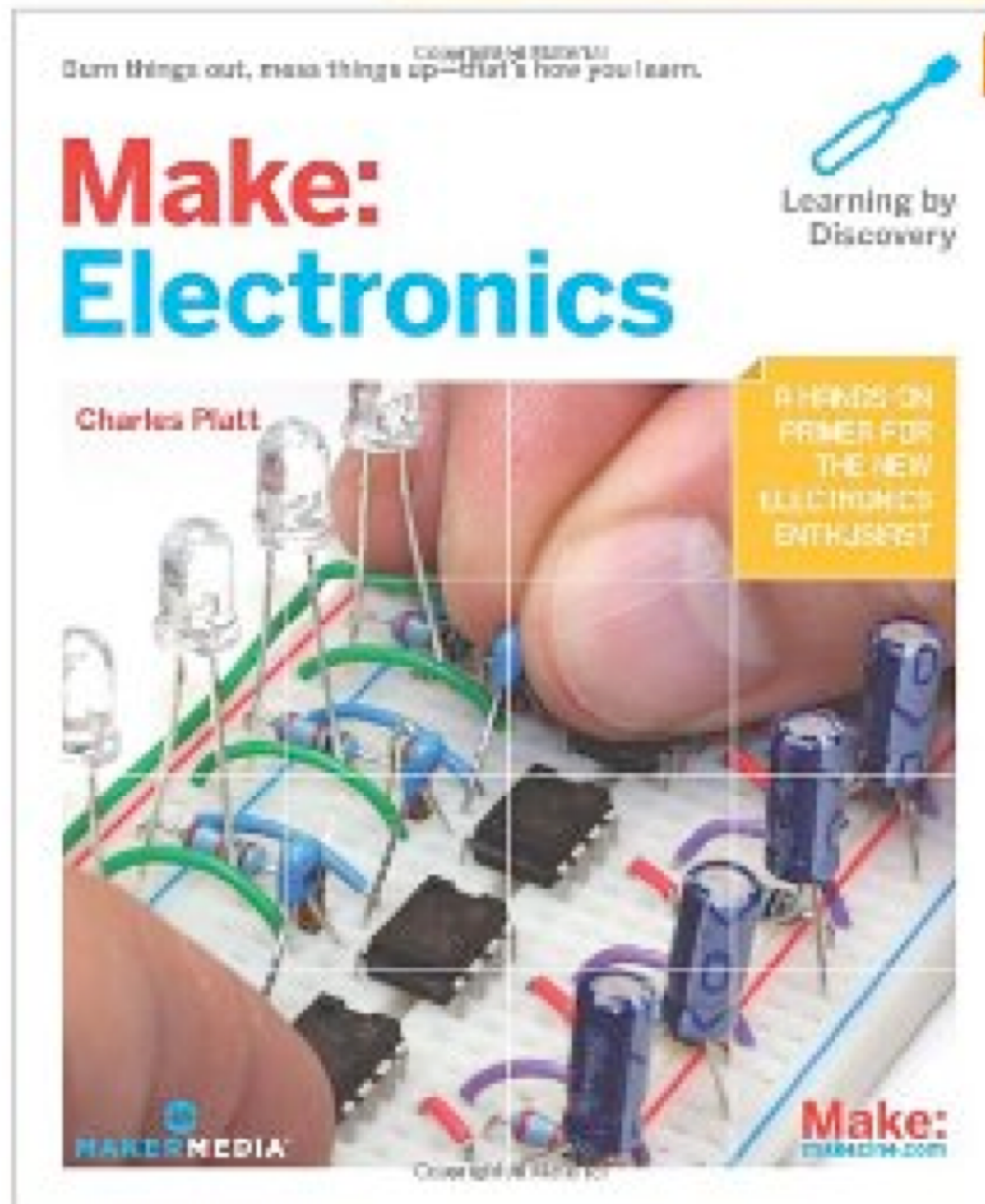


Double-pole—double-throw manual switch

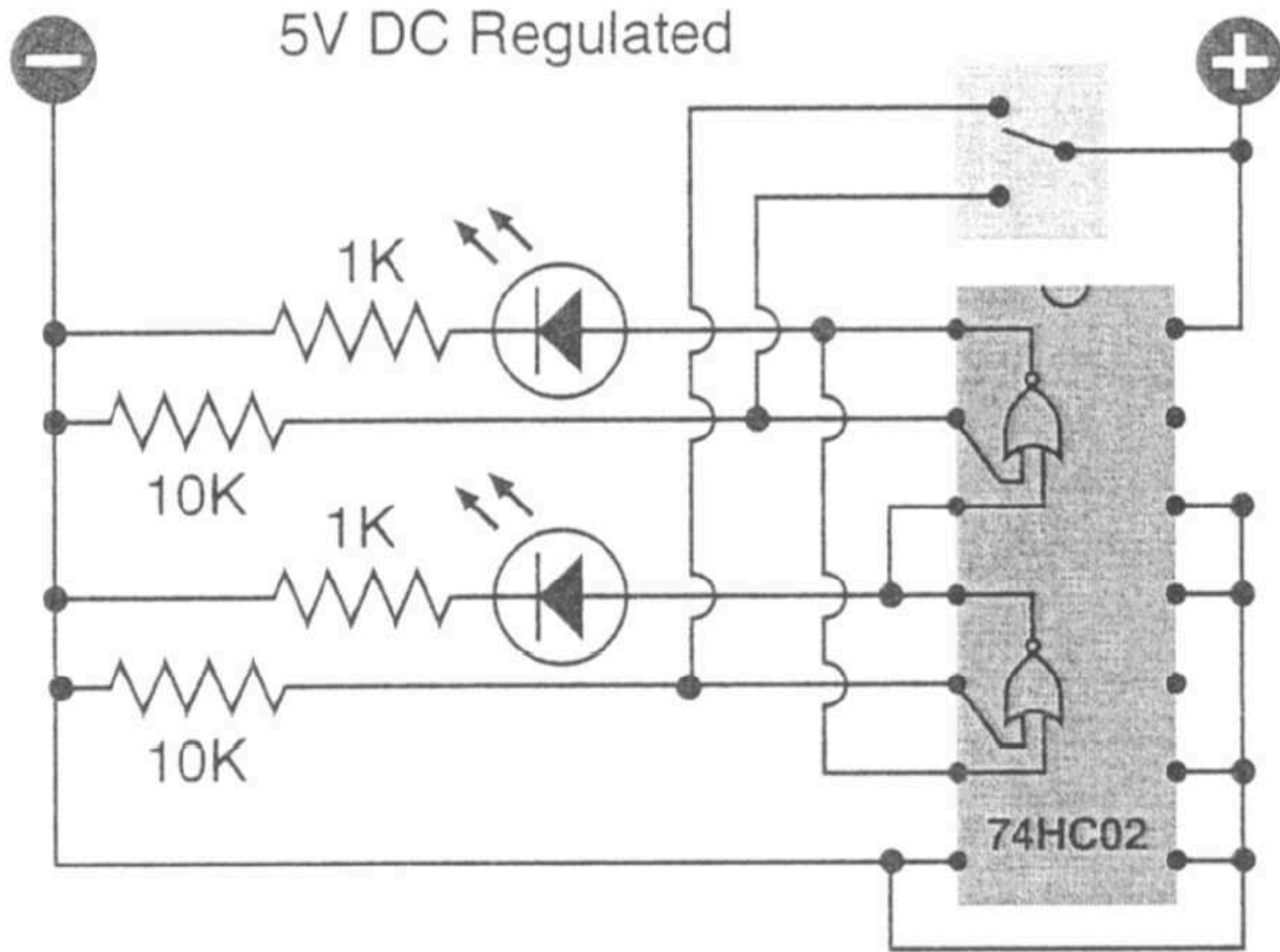


The following examples came from this book

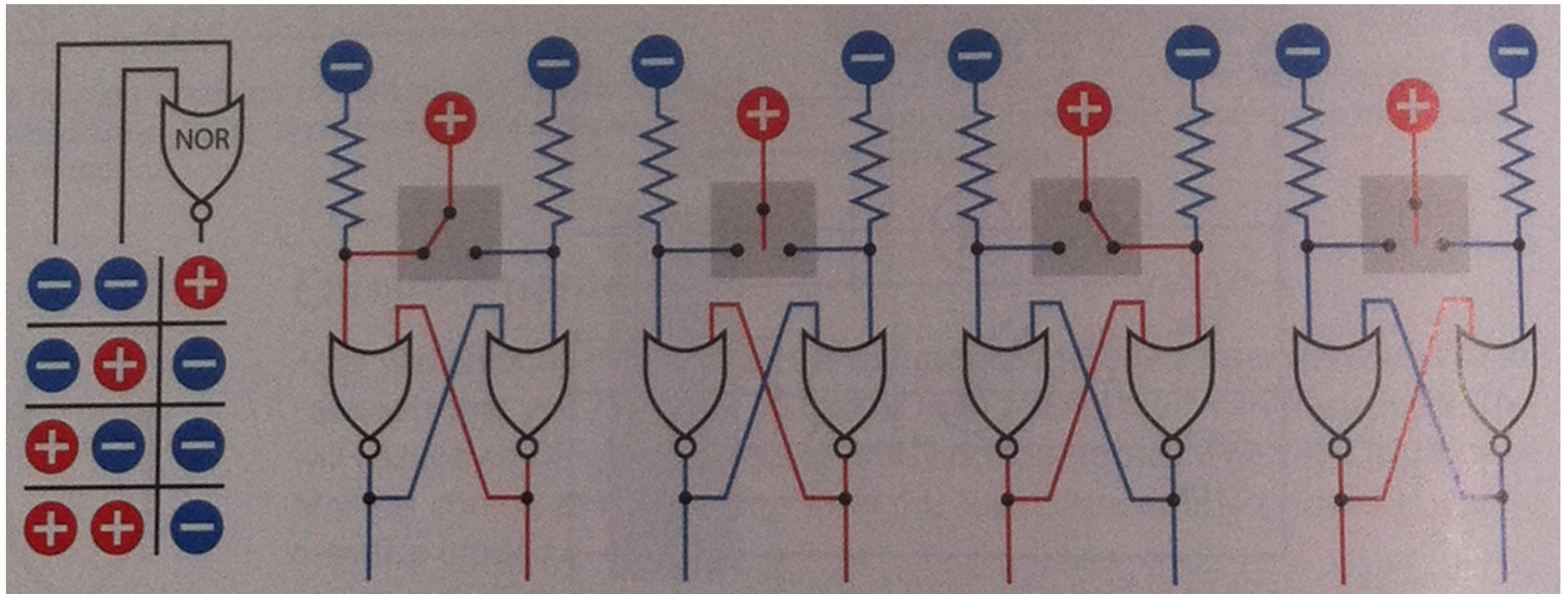
Click to **LOOK INSIDE!**



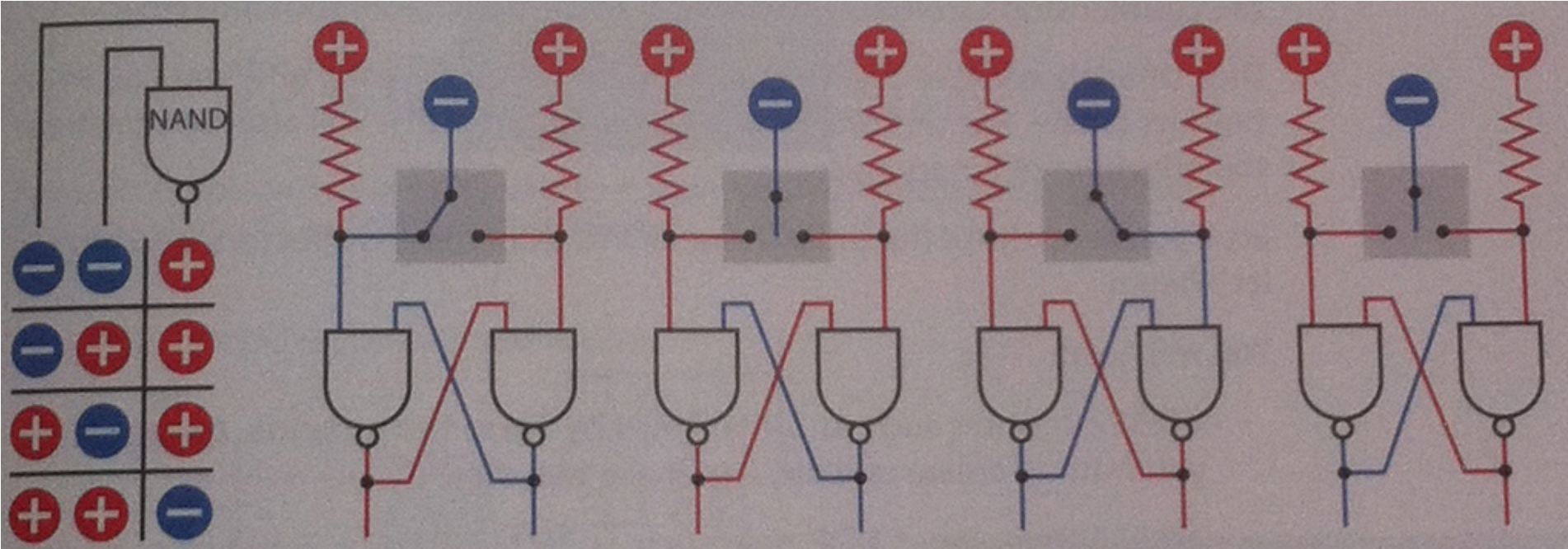
A Simple Circuit



Let's Take a Closer Look at This



A Similar Example with NAND Gates



Questions?

THE END